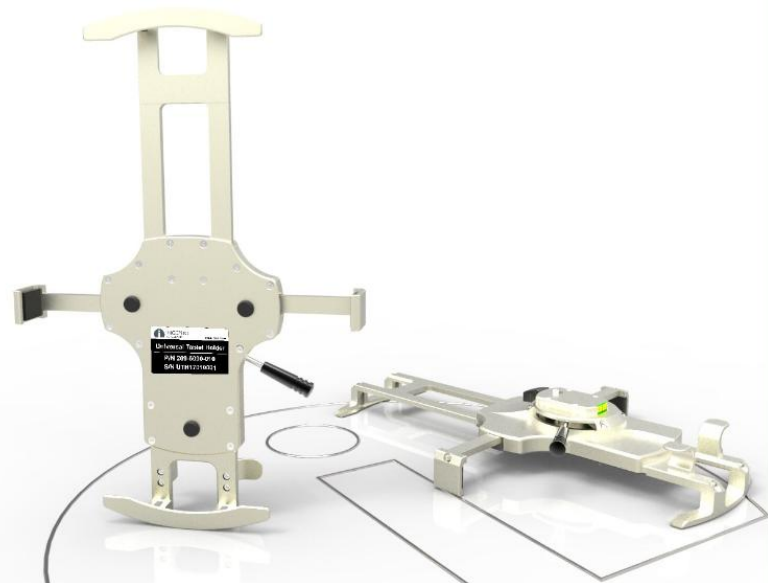


INGENIO Universal Tablet Holder



INGENIO Universal Tablet Holder



The **INGENIO Universal Tablet Holder** provides wide flexibility to secure and conveniently utilize a large selection of current consumer leading tablets. This is an ideal product for all operators including Fractional and Charter operators that wish to facilitate passengers & / or flight crew usage of their own carry-on Portable Electronic Device (PED) and content.

- The **INGENIO Universal Tablet Holder** is a fully adjustable, robust, unique and lightweight product that enables most effective use of PED's either within the aircraft cabin or cockpit. Its adjustable sliding brackets, self-locking cam mechanism and multi-located protection rubber pads permit to both easily secure and protect the PED while inserted. The integrated PED charging cable stowing brackets also allow the passengers / flight crew to stow (rolled around the brackets) their respective PED charging cable out of sight and out of obstruction while using the PED or rotating it from a landscape to a portrait position.
- The **INGENIO Universal Tablet Holder** enables power and data throughput by simply docking into any INGENIO Cabin Tablet-Arm or Cockpit Tablet-Arm / Mount products connected to either INGENIO USB Charger or USB Extender product.
- The **INGENIO Universal Tablet Holder** is manufactured to be compatible with most Portable Electronic Devices (PED's) like the latest Apple™ iPad™/2/3/4, iPad™ Air/2 and iPad™ Mini/2/3/4; Android™ Tablets; and other USB-powered products.
- All these features make the **INGENIO Universal Tablet Holder** an elegant, unique and interchangeable product that helps distinguish itself from the competition.

Specifications

Nominal 5 VDC power pass-through
Unrestricted USB data pass-through
Weight 0.82 lb / 373 g (Without PED)
Width 5.00 in (Retracted)
Length 8.54 in (Retracted)
Height 1.69 / 1.94 in
Maximum Tablet Length: 10.38 in
Maximum Tablet Width: 7.53 in
Maximum Tablet Thickness (Protection casing included): 0.63 in
Minimum Tablet Length: 7.65 in
Minimum Tablet Width: 4.65 in
Integrated USB port to connect device cable
Integrated brackets for stowing (roll around) device USB charging cable
PED is mechanically secured with a 90° lever turn over a self-locking cam mechanism

Ordering Information

Part Number	-	Part Description
209-5090-0XX		Universal Tablet Holder
209-5090-2XX		Universal Tablet Holder Extended

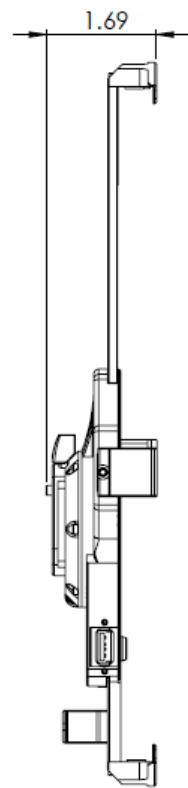
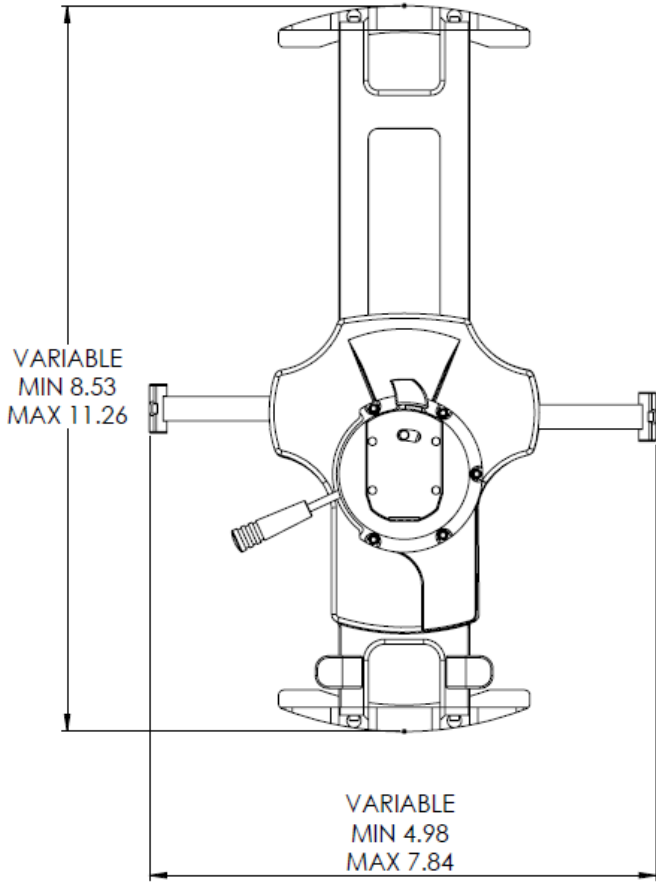
XX = Finish Color Configuration
10 = Nickel 11 = Black

Qualifications

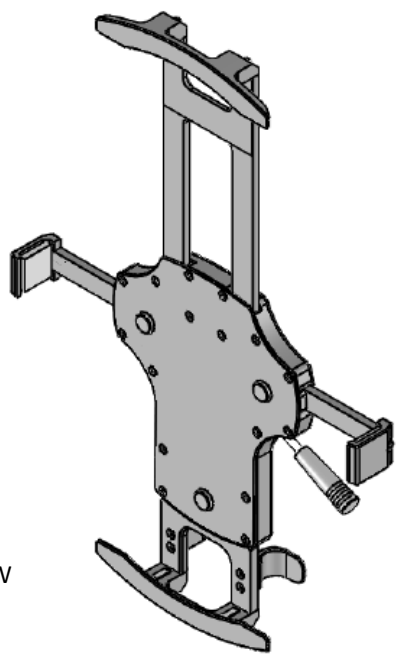
INGENIO Aerospace is approved and licensed by Apple™ for both MFi development and manufacturing of electronic accessories



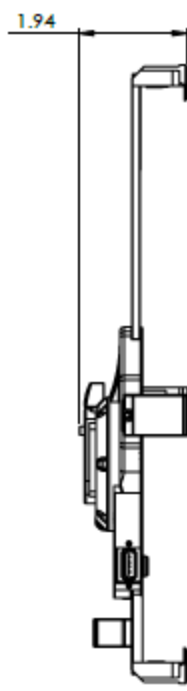
1350 Rue Mazurette, Suite 102
Montreal, QC, H4N 1H2
Canada : 1.514.500.0561
www.ingenioaerospace.com



REGULAR
SIZE



ISO VIEW



EXTENDED
SIZE



Mechanical drawing:
Universal Tablet Holder PN 209-5090-YXX



Made for
iPod iPhone iPad

Note: All dimensions are expressed in inches and drawings are not to scale.

© Copyright 2012 INGENIO Aerospace Inc. All Rights Reserved.