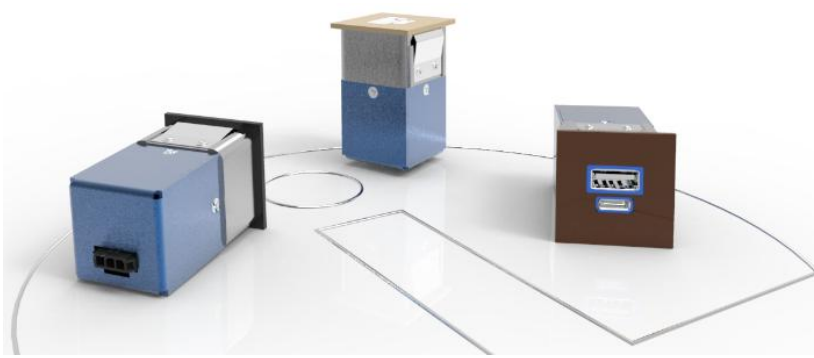


INGENIO USB Nano Charger Type-A&C Charger



INGENIO USB Nano Charger / Type-A&C Charger



The **USB Nano Charger / Type-A&C Charger** contains a compact, lightweight and robust USB charger designed for Portable Electronic Devices (PED's). This charger is purposefully engineered to meet the stringent technical requirements of the aviation industry. It is **DO-160G** qualified for both fixed wing & rotary aircraft in cabin and cockpit environments.

- The **INGENIO USB Nano Charger / Type-A&C Charger** is an intelligent USB charger imbedded into a square enclosure with USB Connector(s), designed to serve as drop in replacement for older connectors such as RJ jacks or underpowered USB chargers. The output of this charger will provide enough power for today's ever growing list of Portable Electronic Devices (PED's).
- Designed and built with the INGENIO proprietary Intelli-Fuse technology, the **INGENIO USB Nano Charger / Type-A&C Charger** is self-protected from any power irregularities which makes the **INGENIO USB Nano Charger / Type-A&C Charger** very reliable with minimal service costs. Output protection is activated automatically and fully restored once a short circuit is corrected. The input protection is activated by temporarily disconnecting from the power source and is also auto restored.
- The unit is easily installed in seats, cabin monuments and in the cockpit. Due to its small physical size, it can be mounted on a wide range of fixed points.
- The **USB Nano Charger / Type-A&C Charger** is manufactured to power most Portable Electronic devices such as Apple™ iPhones™, iPads™, Android™ Smartphones and Tablets; MP3 Players and other USB-powered products.
- All these features make the **USB Nano Charger / Type-A&C Charger** a unique product that helps distinguish itself from the competition.

Specifications

Approx. 95% efficiency under full load
Minimum input voltage 10 VDC
Main input voltage 28 VDC
Over-Voltage Intelli-Fuse
Nominal output voltage 5 V
Maximum output current 2.5 A
Over-Voltage output protection
Output short circuit active protection
Maximum input current 0.46 A at 28 VDC
Reverse power installation protection
MTBF > 300,000 hrs
DO-160G Qualified
Width 1.30 in
Length 1.30 in
Height 2.09 in
Weight 0.13 lb

Ordering Information

Part Number - Part Description

209-6404-010-XX USB Nano Charger

XX = Finish Color Configuration
Custom Plated finishes available upon request

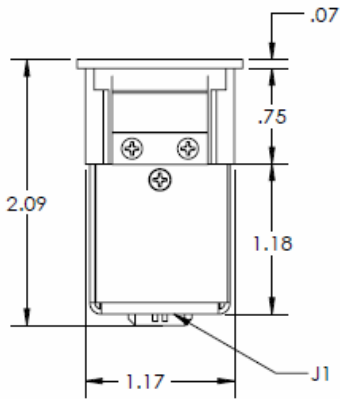
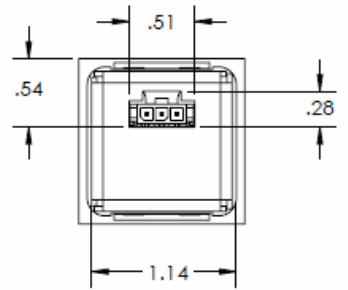
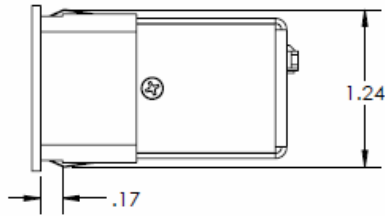
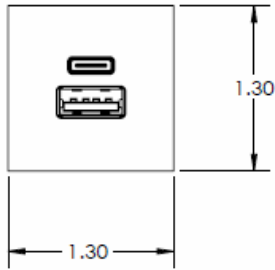
Qualifications

INGENIO Aerospace is approved and licensed by Apple™ for both MFi development and manufacturing of electronic accessories

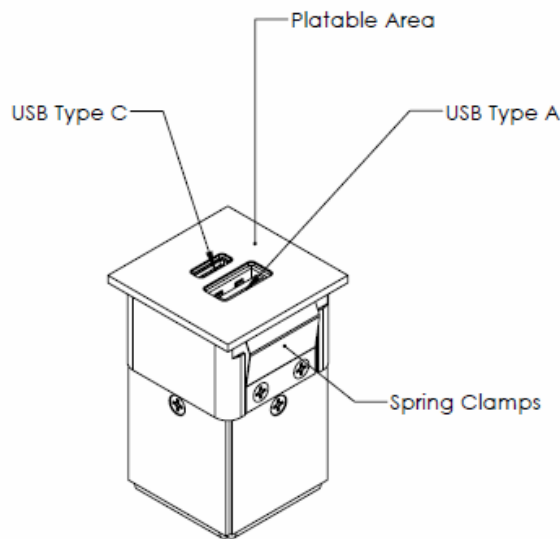


RTCA DO-160G

1350 Rue Mazurette, Suite 102
Montreal, QC, H4N 1H2
Canada : 1.514.500.0561
www.ingenioaerospace.com



Position	Mating Connector
J1	Molex Connector (43645-0300)
	Molex Pins (43030-0001)
J1 Pinout	
Pin	Signal
1	Chassis GND
2	Return
3	28VDC



ISO VIEW

-XX	TIGER DRYLAC	DESCRIPTION
-01	49/92880	Metallic Silver Gloss
-02	68/15022	Railing Beige
-03	49-19365	Tan Smooth Gloss
-04	489/15440	Sandcastle
-05	049/66050	RAL 8025
-06	68/15023	Sandlewood
-07	489/15430	Jet Sand
-08	09/80170	Anthracite Metallic
-09	49/13660	RAL 1019
-10	49/70230	P14 Iron Glimmer



USB Charger Enclosure

PN 209-6404-010



Note: All dimensions are expressed in inches and are not to scale