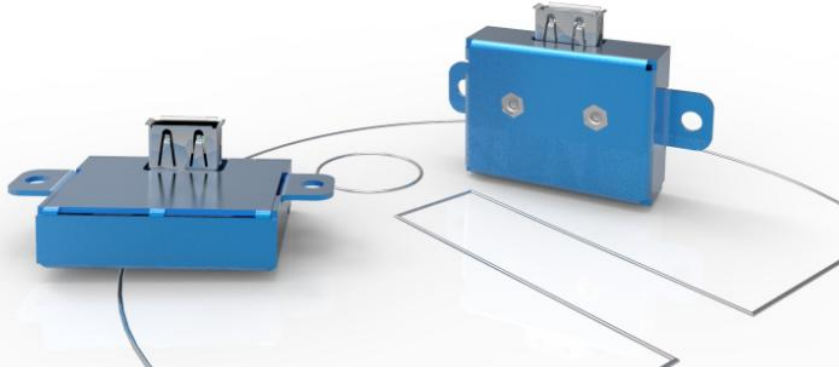


INGENIO USB Charger



INGENIO USB Charger



The **INGENIO USB Charger** is a compact, lightweight, robust and reliable USB charger for Portable Electronic Devices (PED's). It is purposefully engineered to meet the stringent technical requirements of the aviation industry. It is **DO-160G** qualified for both fixed wing & rotary aircraft in the cabin and cockpit environments.

- The INGENIO USB Charger is an intelligent USB charger. Within its small housing is a powerful charger designed to be robust enough to power all of today's ever growing list of electronic devices.
- Designed and built with the INGENIO proprietary Intelli-Fuse technology, the **INGENIO USB Charger** is self-protected from any power irregularities which makes the **INGENIO USB Charger** very reliable with minimal service costs. Output protection is activated automatically and fully restored once a short circuit is corrected. The input protection is activated by temporarily disconnecting from the power source and is also auto restored.
- Due to its small physical size, the unit can be mounted on a wide range of fixed points, as seats, cabinet monuments and cockpit.
- The **INGENIO USB Charger** is designed to power most Portable Electronic Devices (PED's) such as Apple™ iPhones™ and iPads™; Android Smartphones and Tablets; MP3 Players and other USB-powered products.
- All these features make the **INGENIO USB Charger** a unique product that helps distinguish itself from the competition.

Specifications

Approx. 95% power efficiency under full load
Minimum input voltage 10 VDC
Main input voltage 28 DC
Over-Voltage Intelli-Fuse
Nominal output voltage 5 V
Maximum output current 2.5 A
Output short circuit active protection
Maximum input current 0.56 A at 28 VDC
Reverse power installation protection
LED Indicator [Blue]
MTBF > 300,000 hrs
DO-160G Qualified
Width [-030/031] 1.14 in, [-032/033] 1.45 in
Length [-030/031] 2.28 in, [-032/033] 2.29 in
Height [-030/031] 0.75 in, [-032/033] 0.52 in
Weight 0.05 lb / 23 g

Ordering Information

Part Number - Part Description

With JST Pigtail Connector:

209-6401-030	USB Charger [90°]
209-6401-032	USB Charger [180°]

With D369 Pigtail Connector:

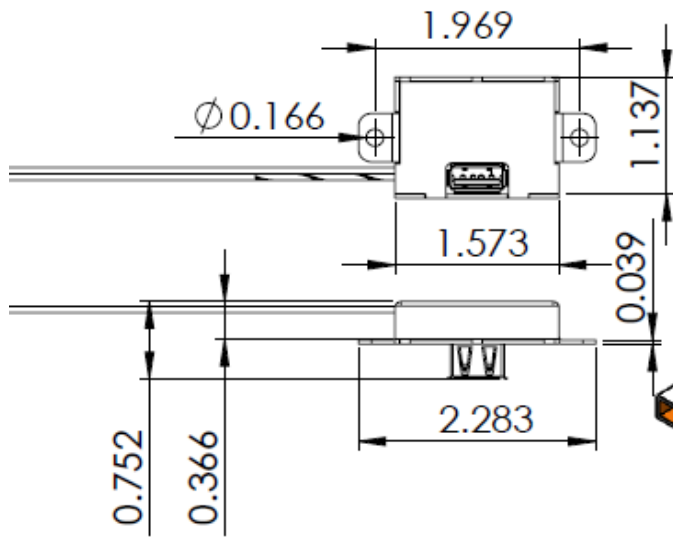
209-6401-031	USB Charger [90°]
209-6401-033	USB Charger [180°]

Qualifications

INGENIO Aerospace Inc. is approved and licensed by Apple™ for both MFi development and manufacturing of electronic accessories



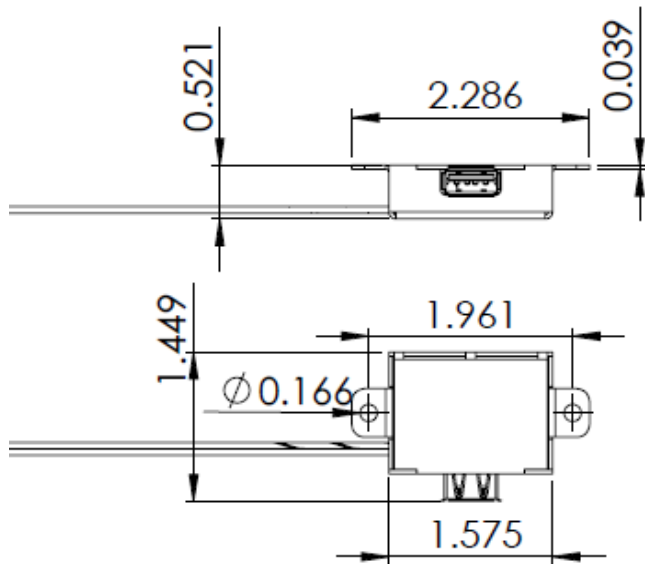
1350 Rue Mazurette, Suite 102
Montreal, QC, H4N 1H2
Canada : 1.514.500.0561
www.ingenioaerospace.com



209-6401-030

209-6401-031

Pigtail Wire Length: 5 inch



209-6401-032

209-6401-033

Pigtail Wire Length: 5 inch

Part Number	Mating Connector PN	Mating Pin PN	Connector Manufacturer (Distributor)	Pin Assignment
209-6401-030	02R-JWPF-VSLE-S	SWPR-001T-P025	JST www.jst.com (DigiKey)	1=Return, 2=28VDC
209-6401-031	D369-R33-NS1	M39029/57-354	TE Connectivity www.te.com (DigiKey)	1=28VDC, 2=Return
209-6401-032	02R-JWPF-VSLE-S	SWPR-001T-P025	JST www.jst.com (DigiKey)	1=Return, 2=28VDC
209-6401-033	D369-R33-NS1	M39029/57-354	TE Connectivity www.te.com (DigiKey)	1=28VDC, 2=Return



INGENIO USB Charger [90°] PN 209-6401-030/-031
 INGENIO USB Charger [180°] PN 209-6401-032/-033



Note: All dimensions are expressed in inches and drawings are not to scale.