

# INGENIO

## Standard Tablet-Arm



INGENIO Standard Tablet-Arm



The **Standard Tablet-Arm** by INGENIO is the most functional and stylized product on the market. Designed to be both compact and lightweight, it acts as a plug-in Tablet-Arm for a variety of Portable Electronic Devices (PED's). Modern and elegant in construction, it visually complements and enhances the interior of any Business Aircraft. It is purposefully engineered to meet the stringent technical requirements of the aviation industry.

- The **Standard Tablet-Arm** provides for a plug and play concept, as it is easily installed in the cabin by way of an attachment point referred to as the INGENIO Cabin Receptacle. Due to its small 5 inch length, this Standard Tablet-Arm can be installed on a wide range of fixed points, i.e. club seats, conference area, divans, base receptacles, cup holders, narrow side ledges, etc.
- The **Standard Tablet-Arm** provides a safe and elegant solution for integrated USB charging & data pass through, with no visible wires. The arm is easily removable for both takeoff and landing.
- The **Standard Tablet-Arm** ergonomic design allows for optimal passenger PED viewing while being seated in either an up-right or reclined position. Its robust design eliminates vibrations, ensure a secure and firm hold, allowing a comfortable and gratifying user experience.
- The INGENIO Tablet Holders come in either Universal or Custom format. These Tablet Holders provide a dynamic fit and form for securing a wide variety of PED's. The benefits are: allows viewing in both portrait and landscape modes; tightly secures PED to eliminate vibration; and is interchangeable amongst all INGENIO Plug-In products. The PED can be removed independently by either rotating a simple un-locking lever on the rear of the Tablet Holder, or by detaching the Tablet Holder from the Cabin Tablet-Arm with the help of an instant release mechanism.
- All these features make the **Standard Tablet-Arm** a unique product that distinguishes it from the competition.

### Specifications

Plug-In Cabin Tablet-Arm for PED's	
USB Charging (MFi) and unrestricted USB data pass-through	
Stowable for takeoff & landing	
Ergonomic, lightweight and durable	
Made of 6061-T6 Aerospace Aluminum	
Width*	1.50 in
Length*	5.25 in
Height*	8.40 in Standard Arm – Low Profile 9.49 in Standard Arm 12.37 in Standard Arm – High Profile
Weight*	0.91 lb / 414 g

\* - w/o Tablet Holder

### Compatible INGENIO products

209-50XX-01X	Custom Tablet Holder
209-5090-01X	Universal Tablet Holder
209-5100-011	Cabin Receptacle
209-5150-011	Falcon Jet Receptacle
209-6401-03X	INGENIO USB Charger

### Ordering Information

Part Number	Part Description
209-5350-0XX	Standard Tablet-Arm
209-5350-1XX	Standard Tablet-Arm - Low Profile
209-5350-2XX	Standard Tablet-Arm - High Profile

XX = Finish Color Configuration  
10 = Nickel 11 = Black

Custom Plated finishes available upon request

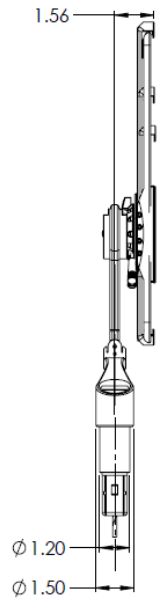
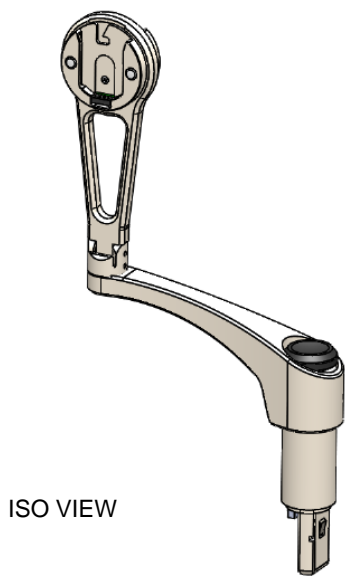
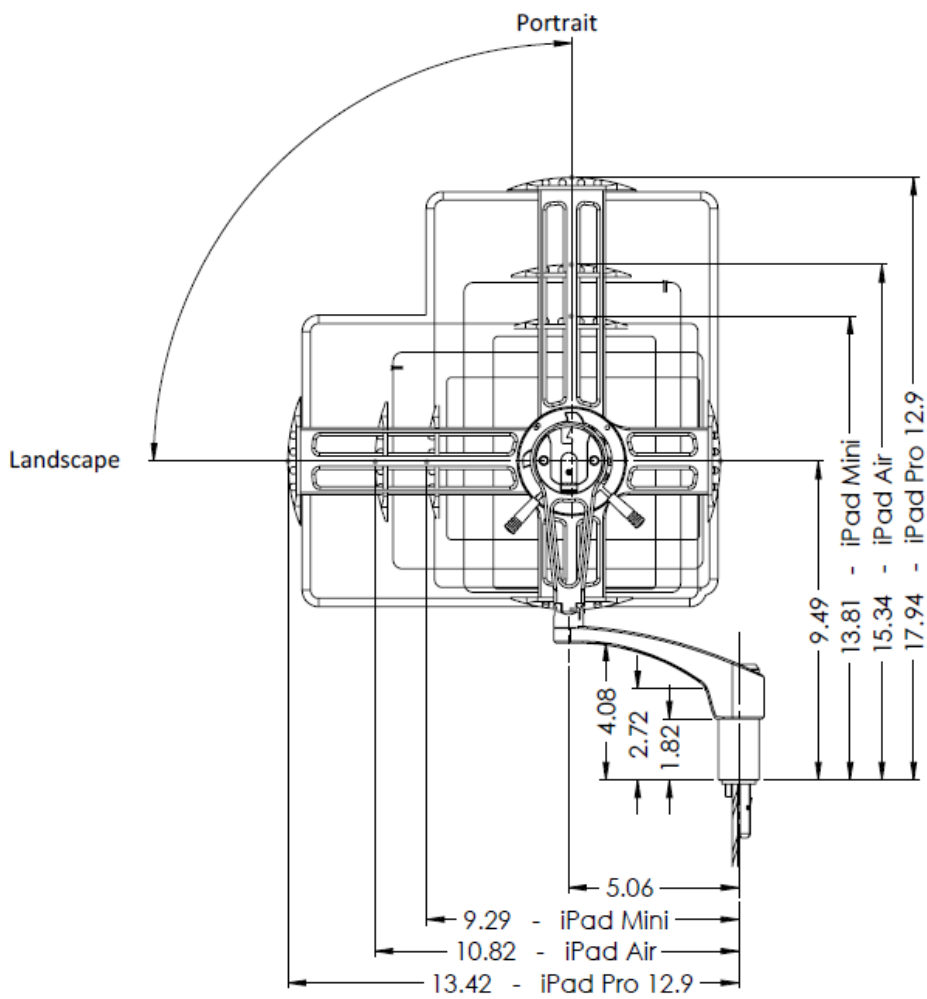
Note: The PED and the Custom Tablet Holder depicted in the image above are for reference only and are not included

### Qualifications

INGENIO Aerospace is approved and licensed by Apple™ for both MFi development and manufacturing of electronic accessories



1350 Rue Mazurette, Suite 102  
Montreal, QC, H4N 1H2  
Canada : 1.514.500.0561  
[www.ingenioaerospace.com](http://www.ingenioaerospace.com)



Mechanical Drawing:  
Standard Tablet-Arm

PN 209-5350-0XX



**Note:** All dimensions are expressed in inches and drawings are not to scale.