

# INGENIO

## CES 'Standard' Tablet-Arm



INGENIO Cabin Tablet-Arm for Rockwell Collins CES Receptacle



The **CES 'Standard' Tablet-Arm** by INGENIO, specifically designed for the **Rockwell Collins 'Cabin Electronic System' (CES) Receptacle**, is part of the most functional and stylized product line on the market. Designed to be both compact and lightweight, it acts as a plug-in Tablet-Arm for a variety of Portable Electronic Devices (PED's). Modern and elegant in construction, it visually complements and enhances the interior of any VVIP / Business Aircraft. It is purposefully engineered to meet the stringent technical requirements of the aviation industry.

- The **CES 'Standard' Tablet-Arm** provides plug and play capability as it is easily installed in the cabin to fit any existing or newly installed **Rockwell Collins CES Receptacle**
- Each arm has an integrated **INGENIO USB Nano Charger** which is DO-160G qualified. A unique, robust and powerful product, designed to fast charge all the latest Apple™ iPad™ and Android™ Tablets.
- The **CES 'Standard' Tablet-Arm** provides a safe and elegant integration in the cabin, with no visible wires. The arm is easily removable for taxi, takeoff and landing.
- The **CES 'Standard' Tablet-Arm** is ergonomically designed which allows for optimal passenger PED viewing while seated in either an up-right or reclined position.
- The INGENIO Tablet Holders come in either Universal or Custom format. These Tablet Holders provide a dynamic fit and form for securing a wide variety of PED's. The benefits are: allows viewing in both portrait and landscape modes; tightly secures PED to minimize vibration; and is interchangeable amongst all INGENIO Tablet-Arm products. The PED can be removed independently by either rotating a simple locking lever on the rear of the Tablet Holder, or by detaching the Tablet Holder from the Cabin Tablet-Arm via a instant release mechanism.
- All these features make the **CES 'Standard' Cabin Tablet-Arm** a unique product that is distinguished from the competition.

### Specifications

Integrated DO-160G qualified USB Charger	
Stowable for taxi, takeoff & landing (TTL)	
Made of 6061-T6 Aluminum Alloy	
Nominal output voltage 5 VDC	
Maximum output current 2.5 A	
Over-Voltage output protection	
Output short circuit active protection	
Reverse power installation protection	
Minimum input voltage 10 VDC	
Main input voltage 28 VDC	
Over-Voltage Inteli-Fuse	
Width*	1.50 in
Length*	9.79 in
Height*	14.11 in
Weight*	1.16 lb

\* - w/o Tablet Holder

### Ordering Information

Part Number	-	Part Description
209-5356-0XX		CES 'Standard' Tablet – Arm

XX = Finish Color Configuration  
10 = Nickel      11 = Black

Custom Plated finishes available upon request

Note: The PED and the Custom Tablet Holder depicted in the image above are for reference only and are not included

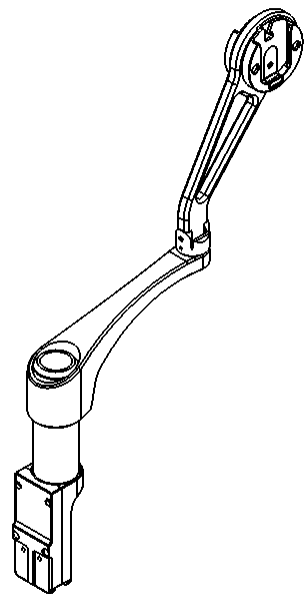
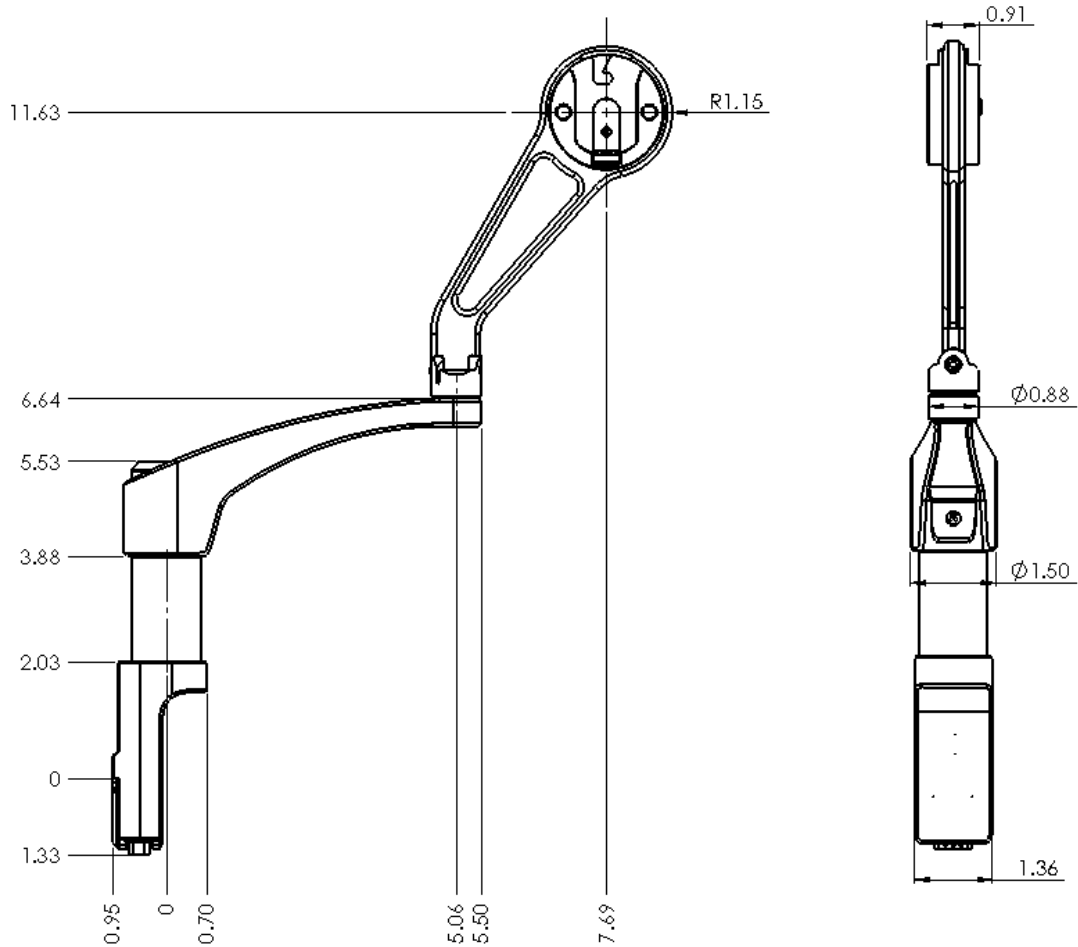
### Qualifications

INGENIO Aerospace is approved and licensed by Apple™ for both MFi development and manufacturing of electronic accessories



1350 Rue Mazurette, Suite 102  
Montreal, QC, H4N 1H2  
Canada : 1.514.500.0561  
[www.ingenioaerospace.com](http://www.ingenioaerospace.com)

PATENT PENDING



ISO VIEW



CES 'Standard' Tablet-Arm  
PN 209-5356-0XX



**Note:** All dimensions are expressed in inches and drawings are not to scale.