

INGENIO Smartphone Holder



INGENIO Smartphone Holder



Specifications

Plug-In Cabin Smartphone Holder

USB Charging (MFi) and unrestricted USB data pass-through

Stowable for takeoff & / or landing

Ergonomic, lightweight and durable

Made of 6061-T6 Aerospace Aluminum

Width 4.45 in at maximum opening

Length 2.80 in (Without PED)

Height 7.88 in (Without PED)

Weight 0.69 lb / 312 g (Without PED)

Compatible PED's with width between 2.06 in and 3.98 in (i.e. most iPod™, iPhone™, Android™ Smartphones or USB-powered MP3 Players)

Compatible INGENIO products

209-5100-011	Cabin Receptacle
209-5100-003	Imbedded USB Charger Receptacle
209-6401-03X	INGENIO USB Charger
209-6406-021	USB Extender Plus

Ordering Information

Part Number	Part Description
209-5400-010	Smartphone Holder – Nickel
209-5400-011	Smartphone Holder – Matte Black

Note: The Smartphone PED is depicted in the image above for reference only and is not included

Qualifications

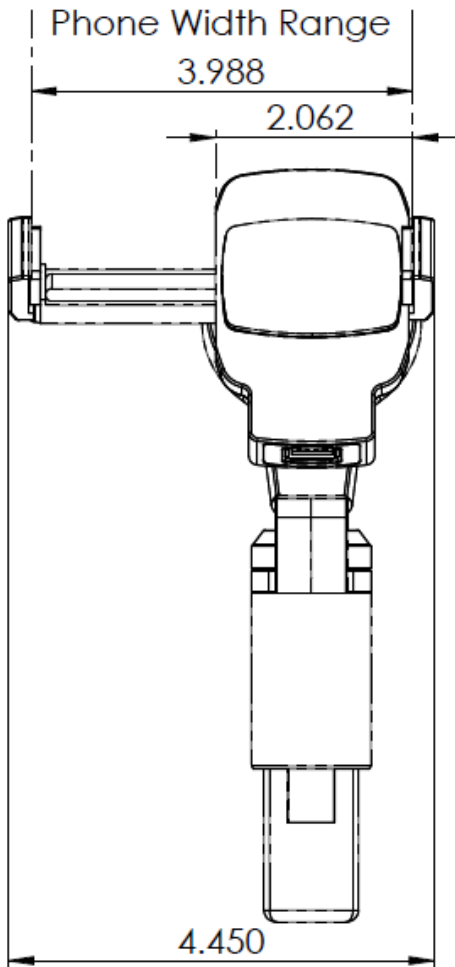
INGENIO Aerospace is approved and licensed by Apple™ for both MFi development and manufacturing of electronic accessories



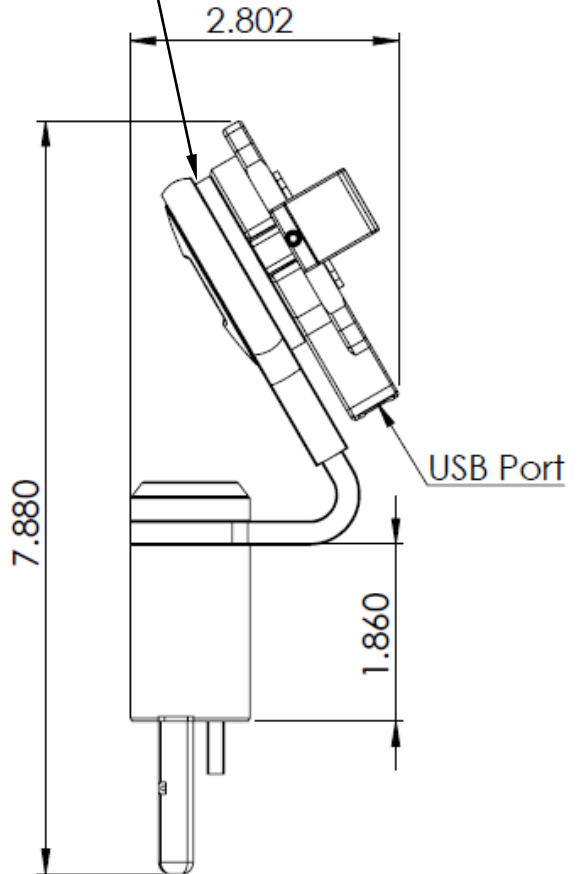
The **INGENIO Smartphone Holder** is the most unique and functional product on the market, exclusively designed for Smartphones and MP3 Personal Equipment Devices (PED's); it is built to be both compact, lightweight and versatile. Modern and elegant in construction it visually compliments and enhances the interior of any Business Aircraft. It is purposefully engineered to meet the stringent technical requirements of the aviation industry.

- Just like the INGENIO Cabin Tablet-Arm, the **INGENIO Smartphone Holder** provides for a plug and play concept. It is easily installed in the cabin by way of a simple attachment point referred to as the **INGENIO Cabin Receptacle** which can be installed on a wide range of fixed points throughout a cabin due to its small physical size i.e. seats, divans, side ledges and cup holders. It provides a safe and elegant integration in the cabin with no visible wires. The entire unit is easily removable for stowing for both takeoff and landing.
- The **INGENIO Smartphone Holder** provides integrated charging & data pass-through capability. The design is ergonomic allowing for optimal cabin passenger usage when seated and can also be used as a personal control unit for the cabin management system (if App available). The design eliminates vibrations when inserted into the cabin receptacle for a secure, firm hold allowing a comfortable and gratifying user experience.
- The **INGENIO Smartphone Holder** optimizes flexibility of deployment and use of PED's, particularly Smartphones and MP3 Players. They are held in place by a universal mechanism which provides a dynamic fit and form for securing a wide variety of devices from large to small. The benefits are: allows viewing in both portrait and landscape modes. The PED can be removed independently by simply sliding the device movable bracket outwards and pulled out of the holder (when in an upright / portrait position).
- All these features make the **INGENIO Smartphone Holder** a unique product that distinguishes it from the competition.

1350 Rue Mazurette, Suite 102
Montreal, QC, H4N 1H2
Canada: 1.514.500.0561
www.ingenioaerospace.com



Roll PED charging
cable around Holder
circumference for
stowing



Patent Pending



Mechanical Drawing:
Smartphone Holder PN 209-5400-01X

Made for



Note: All dimensions are expressed in inches and drawings are not to scale.