

The Venue™ ‘Premium’ Tablet-Arm by INGENIO, specifically designed for the Rockwell Collins Venue™ Receptacle, is part of the most functional and stylized product line on the market. Designed to be both compact and lightweight, it acts as a plug-in Tablet-Arm for a variety of Portable Electronic Devices (PED’s). Modern and elegant in construction, it visually complements and enhances the interior of any VVIP / Business Aircraft. It is purposefully engineered to meet the stringent technical requirements of the aviation industry.

- The Venue™ ‘Premium’ Tablet-Arm provides plug and play capability as it is easily installed in the cabin to fit any existing or newly installed Rockwell Collins Venue™ Receptacle.
- Each arm has an integrated **INGENIO USB Nano Charger** which is DO-160G qualified. A unique, robust and powerful product, designed to fast charge all the latest Apple™ iPad™ and Android™ Tablets.
- The Venue™ ‘Premium’ Tablet-Arm provides a safe and elegant integration in the cabin, with no visible wires. The arm is easily removable for taxi, takeoff and landing.
- The Venue™ ‘Premium’ Tablet-Arm ergonomically designed which allows for optimal passenger PED viewing while seated in either an up-right or reclined position.
- The INGENIO Tablet Holders come in either Universal or Custom format. These Tablet Holders provide a dynamic fit and form for securing a wide variety of PED’s. The benefits are: allows viewing in both portrait and landscape modes; tightly secures PED to minimize vibration; and is interchangeable amongst all INGENIO Tablet-Arm products. The PED can be removed independently by either rotating a simple un-locking lever on the rear of the Tablet Holder, or by detaching the Tablet Holder from the Premium Venue Tablet-Arm via an instant release mechanism.
- All these features make the Venue™ ‘Premium’ Tablet-Arm a unique product that is distinguished from the competition.

Specifications

Integrated DO-160G qualified USB Charger
Stowable for taxi, takeoff and landing (TTL)
Made of 6061-T6 Aluminum Alloy
Nominal output voltage 5 VDC
Maximum output current 2.5 A
Over-Voltage output protection
Output short circuit active protection
Reverse power installation protection
Minimum input voltage 10 VDC
Main input voltage 28 VDC
Over-Voltage Intelli-Fuse
Width* 1.50 in
Length* 14.52 in
Height* 16.49 in
Weight* 1.26 lb

* - w/o Tablet Holder

Ordering Information

Part Number - Part Description

209-5315-0XX Venue™ Premium Tablet-Arm

XX = Finish Color Configuration

10 = Nickel 11 = Black

Custom Plated finishes available upon request

Note: The PED and the Custom Tablet Holder depicted in the image above are for reference only and are not included

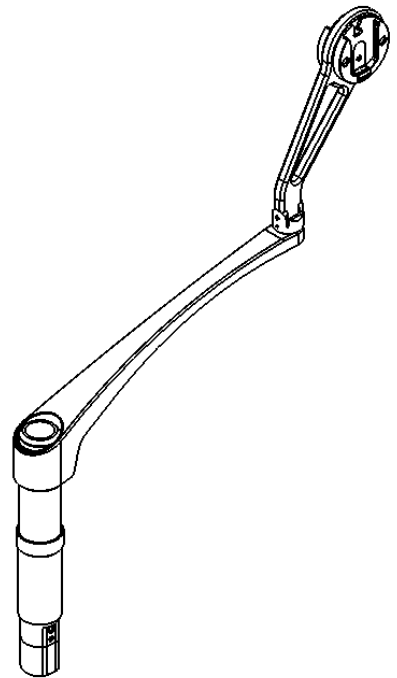
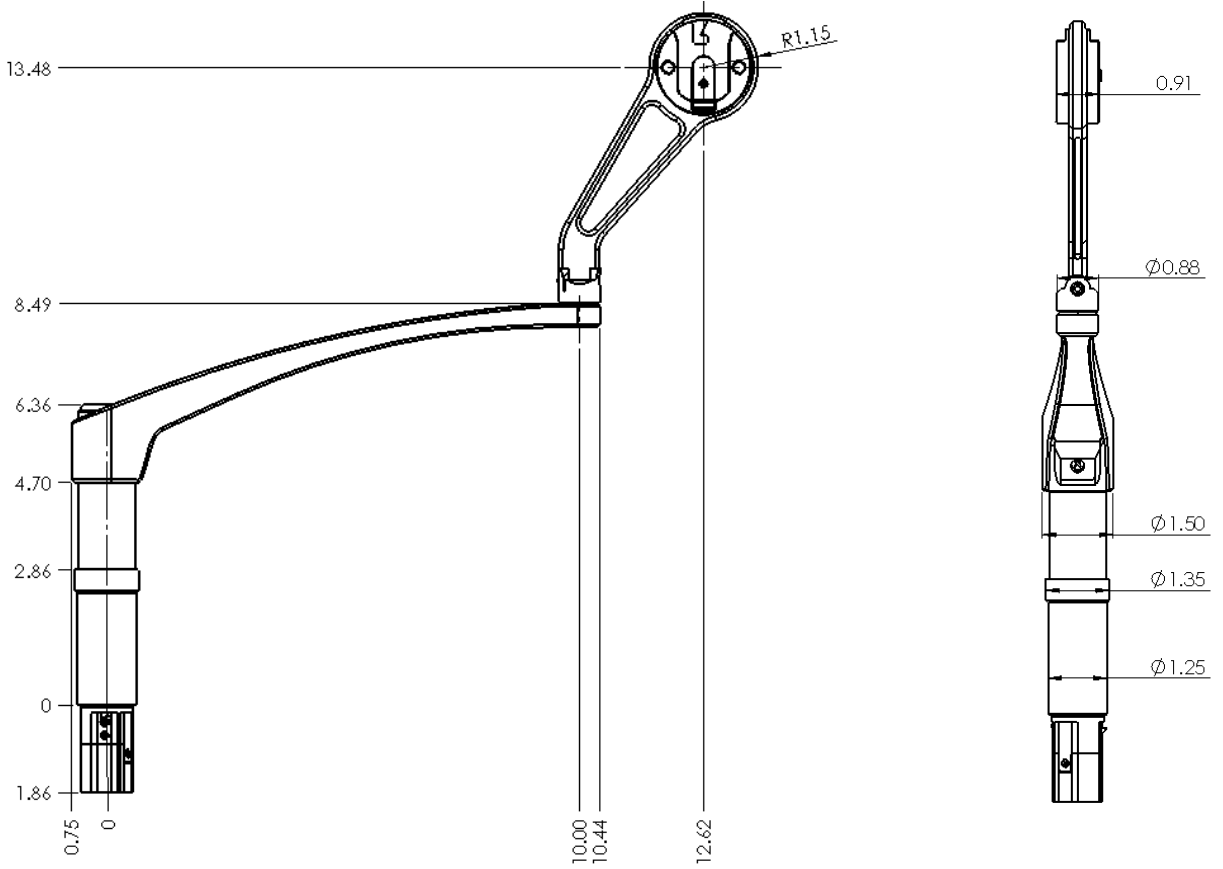
Qualifications

INGENIO Aerospace is approved and licensed by Apple™ for both MFi development and manufacturing of electronic accessories



1350 Rue Mazurette, Suite 102
Montreal, QC, H4N 1H2
Canada : 1.514.500.0561
www.ingenioaerospace.com

PATENT PENDING



Venue™ 'Premium' Tablet-Arm
PN 209-5315-0XX



Note: All dimensions are expressed in inches and drawings are not to scale.

PATENT PENDING