

# INGENIO LED Reading Light



INGENIO LED Reading Light



The **INGENIO LED Reading Light** is a unique product designed for Business Aircraft cabins; it is a compact yet powerful plug-in LED light that can be deployed in a variety of seating positions throughout the cabin interior. Modern and elegant in construction, it visually complements and enhances the interior of any Corporate Jet. It is purposefully engineered to meet the stringent technical requirements of the aviation industry.

- The **INGENIO LED Reading Light** provides for a plug and play concept as it is easily installed in the cabin by way of a simple attachment point referred to as the INGENIO Cabin Receptacle. Due to its small physical size, this Receptacle can be installed on a wide range of fixed points. This accommodates placement in various locations throughout a cabin such as: seats, divans, side ledges and cup holders.
- This **USB-powered light** provides a safe and elegant integration in the cabin with no visible wires. With the use of LED bulbs, the light always remain comfortable to the touch.
- Two lighting options are available, in either cold white or warm white colors. Replacement bulbs can be ordered separately; the INGENIO LED Light work with its own proprietary bulbs.
- The lamp is inserted into the cabin receptacle for a secure and firm hold, allowing the user to adjust it to their desired position. The design is flexible enough to allow for optimal positioning when a passenger is seated in either an up-right or reclined position.
- All these features make the **INGENIO LED Reading Light** a highly personalized product that distinguishes from the competition.

## Specifications

Plug-In LED Lamp
Adjustable Gooseneck Stem
Stowable for takeoff & / or landing
Ergonomic, lightweight and durable
Made of 6061-T6 Aerospace Aluminum
Length [Gooseneck]: 24.0 in
Weight: 0.79 lb / 357 g
Option of Cold or Warm White LED bulbs
Bulb: 10W, 700Lm, 3000K (warm white) and 4500K (cold white)
Beam Angle: 30°

## Compatible INGENIO products

209-5100-011	Cabin Receptacle
209-6401-03X	INGENIO USB Charger

## Ordering Information

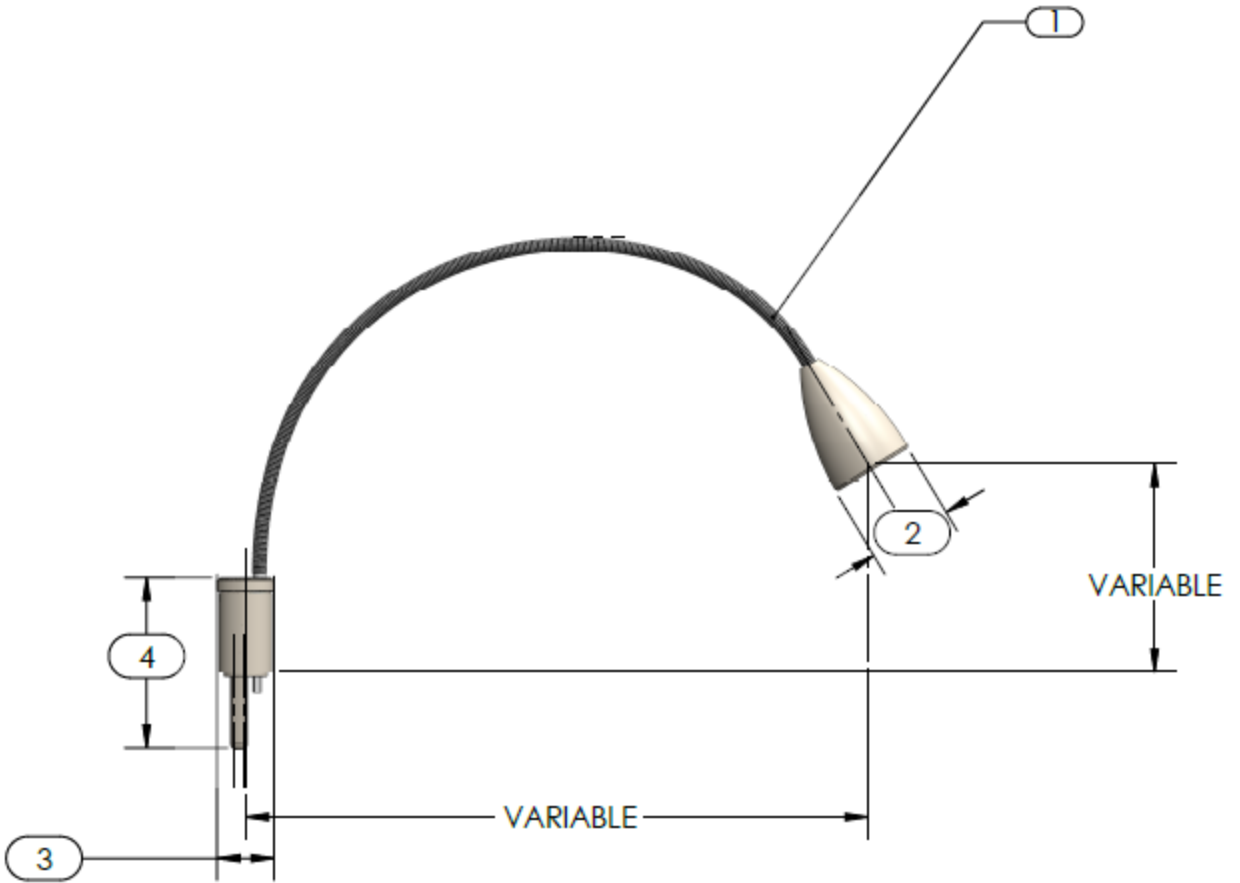
Part Number	-	Part Description
209-5524-Y1X		LED Reading Light 24 inch
Y = Configuration		
0 = On/Off Switch 1 = No Switch 2 = Dimmer		
X = Configuration		
0 = Electroless Nickel 1 = Black		
209-5304-011		LED Bulb - Cold White
209-5304-012		LED Bulb - Warm White

## Qualifications

INGENIO Aerospace is approved and licensed by Apple™ for both MFi development and manufacturing of electronic accessories



1350 Rue Mazurette, Suite 102  
Montreal, QC, H4N 1H2  
Canada: 1.514.500.0561  
<http://www.ingenioaerospace.com>



**Patent Pending**



Mechanical Drawing:  
LED Reading Light PN 209-5524-Y1X



**Note:** All dimensions are expressed in inches and drawings are not to scale.