

INGENIO

Falcon Jet iPad Cockpit Arm



INGENIO iPad Cockpit Arm



The **INGENIO Falcon Jet Cockpit Mount** is a versatile and easy-to-use tablet mount designed for Falcon Jet Aircraft. Permanently powered, designed to be both lightweight and ergonomic, it acts as a sliding docking station for iPads used as an EFB and secured into an INGENIO Tablet Holder. Modern and elegant in construction, it visually complements modern Business Aircraft cockpit environments. It is purposefully engineered to meet the stringent technical requirements of Dassault Falcon Jet.

- The **INGENIO Falcon Jet Cockpit Mount** provides for a plug and play concept as it is easily installed in the cockpit. This lightweight Mount can be installed on the cockpit side structure for optimum flight crew viewing angles (integrated mechanism for +/- 7.5° tilt in any direction). The PED and Tablet Holder are easily removable for stowing during takeoff and landing.
- PED's are held and secured by an INGENIO Custom Tablet Holder, ensuring a portrait view only. These Tablet Holders are compatible with any other INGENIO Cabin Arms with Tablet Holder docking. The locked Tablet Holder is removed by pushing a quick release button.
- The **INGENIO Falcon Jet Cockpit Mount** supports Class 2 EFB installations with integrated power for safe PED charging through the INGENIO USB Chargers
- **Special Note:** The **INGENIO Falcon Jet Cockpit Mount** structure is customized under special order to fit cockpits with different interface points and geometry requirements.

Specifications

Sliding Mount with 2 defined positions for PED's
USB Charging (MFi) and unrestricted USB data pass-through
Tablet Holder stowable for takeoff & landing
Ergonomic, lightweight and durable
Made of 6061-T6 Aerospace Aluminum
Weight 1.01 lb / 460 g with USB Charger or 0.96 lb / 438 g without USB Charger

Compatible INGENIO products

209-5040-019 FJ EFB Tablet Holder

Accommodates:

- iPad Air / Air 2
- iPad
- iPad Mini / Mini 4
- iPad Pro 9.7

Ordering Information

Part Number	-	Part Description
209-5280-501		Cockpit iPad Holder L/H Kit
209-5280-502		Cockpit iPad Holder R/H Kit

Qualifications

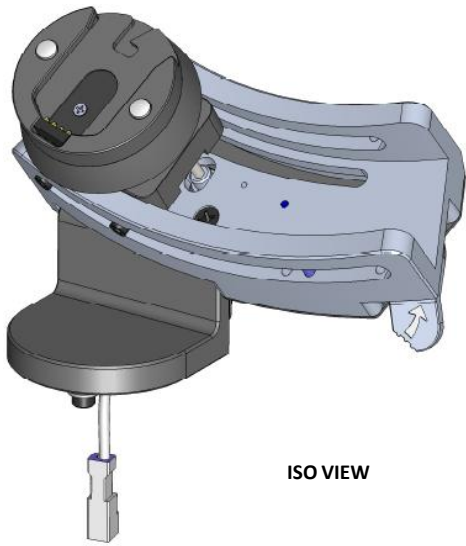
INGENIO Aerospace is approved and licensed by Apple™ for both MFi development and manufacturing of electronic accessories



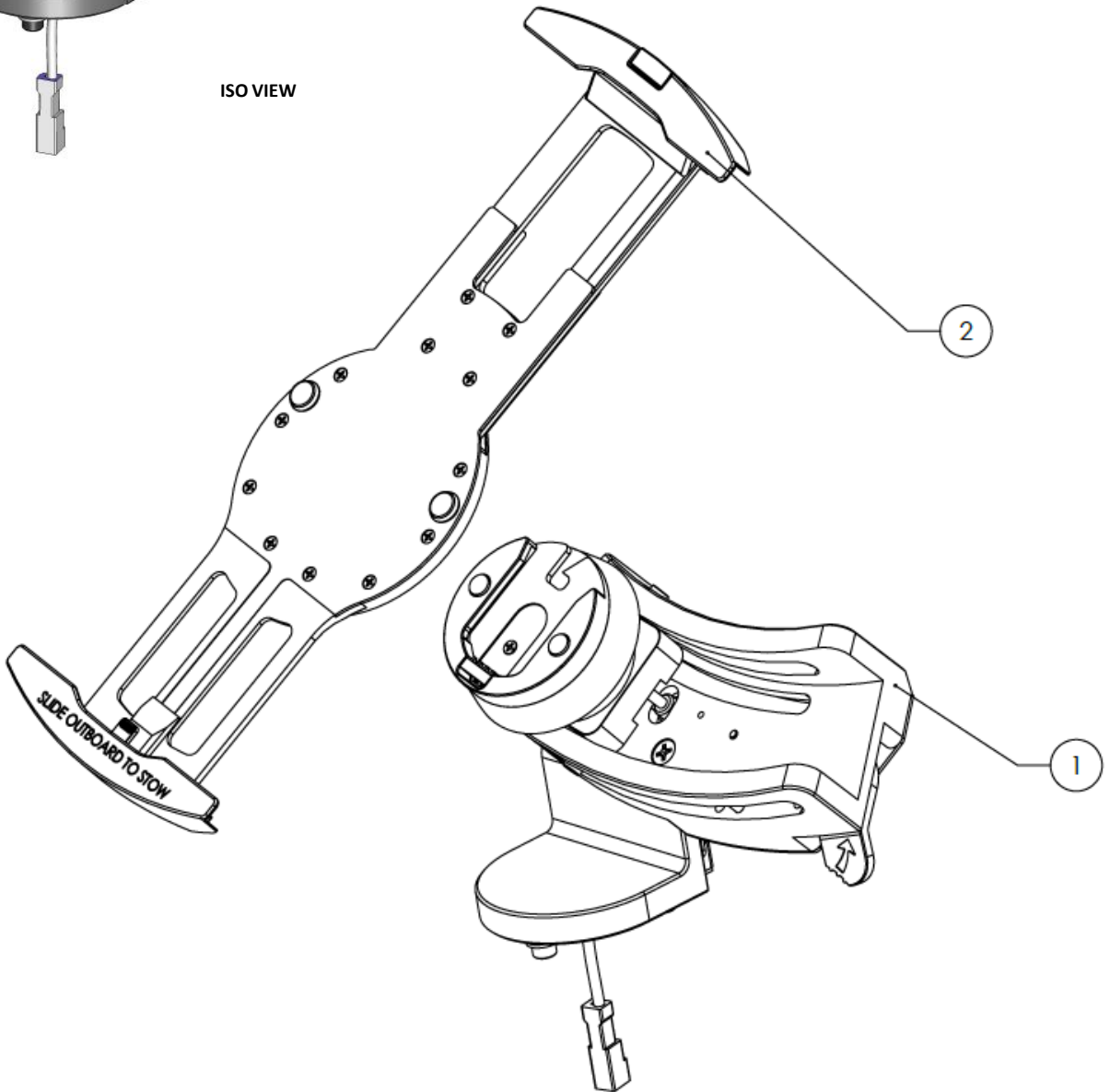
CAN Pat. No.
US Patent Pending



1350 Rue Mazurette, Suite 102
Montreal, QC, H4N 1H2
Canada : 1.514.500.0561
www.ingenioaerospace.com



ISO VIEW



Mechanical Drawing:	
Cockpit Mount L/H	PN 209-5280-001
Cockpit Mount R/H	PN 209-5280-002
Cockpit iPad Holder L/H	PN 209-5280-501 (Shown above)
Cockpit iPad Holder R/H	PN 209-5280-502



Note: All dimensions are expressed in inches and drawings are not to scale.