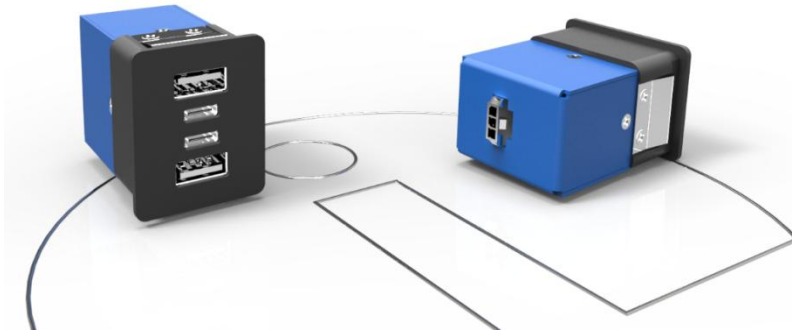


# INGENIO

## Dual USB Type Charger



INGENIO Dual USB Type A / Type C Charger



The **Dual USB Charger** by **INGENIO** is a compact, lightweight, robust, and highly reliable device. There are two (2) USB chargers housed in an aluminum enclosure, equipped with 2 pairs of shared USB Type A and USB Type C connectors, in order to meet different charging standards of Portable Electronic Devices. It is purposefully engineered to meet the stringent technical requirements of the aviation industry. Each USB Charger is **DO-160G** qualified for both fixed wing & rotary aircraft in the cabin and cockpit environments.

- The **Dual USB Charger** is an intelligent USB charger which combines a USB connector with the **USB Charger** to act as the newest fast charging USB product or a replacement for older USB chargers. Designed and built with **Inteli-Fuse** technology, the **Dual USB Charger** offers maximum protection from power irregularities.
- Output protection is activated automatically and fully restored once a short circuit is corrected.
- The high efficiency power supply circuit will induce a minimal temperature rise under maximum load.
- Intel-Fuse protection makes the **Dual USB Charger** very reliable with no need for service after any imaginable power hazard situation. Related service costs are held in check and all user PED's are protected.
- Due to its small physical size, the unit can be mounted on a wide range of fixed points, as seats, cabinet monuments and cockpit.
- The **Dual USB Charger** is manufactured to power most Portable Electronic Devices, like the latest Apple iPhone, iPad and iPad Mini; Android Smartphones and Tablets; MP3 Players and other USB-powered products.
- All these features make the **Dual USB Charger** a unique product that helps distinguish itself from the competition.

### Specifications

Two (2) USB Chargers in a single housing
Over-Voltage Inteli-Fuse Technology
Minimum input voltage 10 VDC
Main input voltage 28 VDC
Over-Voltage Inteli-Fuse level 36 VDC
Nominal output voltage 5 V
Maximum output current 2.5 A per USB pair
Approx. 95% power efficiency under full load
Reverse power installation protection
Output short circuit active protection
Weight 0.176 lb / 80 g
Width 1.3 in
Length 1.6 in
Height 2.09 in
MTBF > 300,000 hrs
DO-160G Qualified

### Ordering Information

Part Number	-	Part Description
209-6404-211		Dual USB Cockpit Charger – Black
		Custom Plated finishes available upon request

### Qualifications

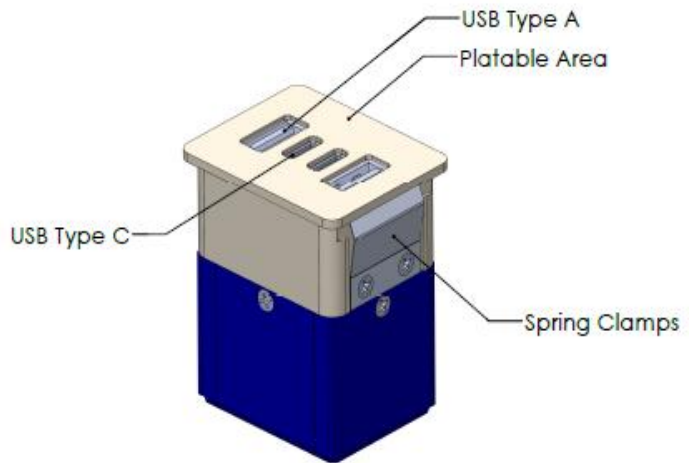
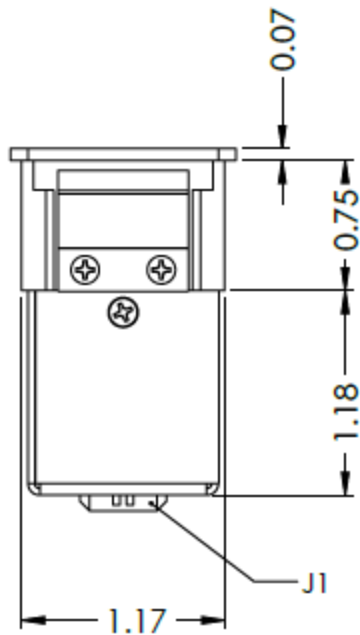
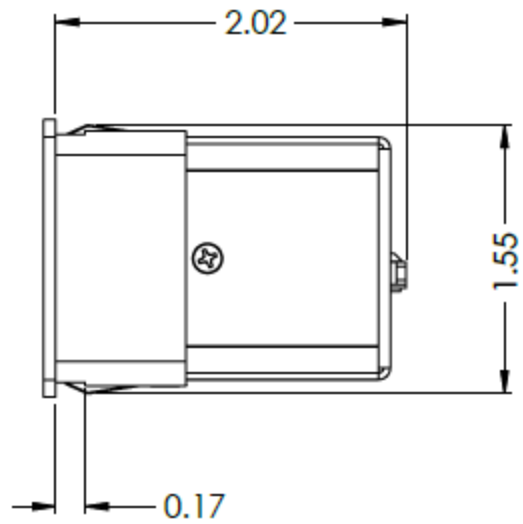
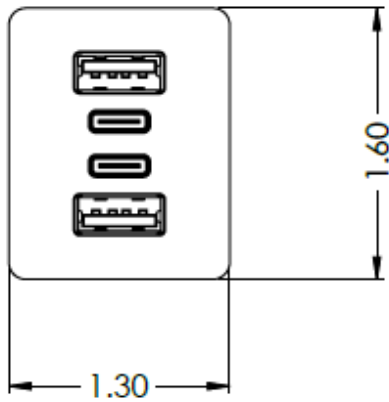
INGENIO Aerospace is approved and licensed by Apple™ for both MFi development and manufacturing of electronic accessories



RTCA DO-160G



1350 Rue Mazurette, Suite 102  
Montréal, Qc, H4N 1H2  
Canada : 1.514.500.0561  
[www.ingenioaerospace.com](http://www.ingenioaerospace.com)



ISO VIEW

Position	Mating Connector
J1	AMP-0101-99
J1 Pinout	
Pin	Signal
1	Chassis GND
2	Return
3	28VDC

Mechanical Drawing:  
Dual USB Charger

PN 209-6404-2XX

Made for



**Note:** All dimensions are expressed in inches and drawings are not to scale.

