

# INGENIO Cup Holder Receptacle



INGENIO Cup Holder Receptacle



The **INGENIO Cup Holder Receptacle** is a most convenient alternative or interim solution to incorporate the INGENIO universal Cabin Receptacle in an aircraft without major modifications. It makes the solution fully “Loose Equipment” that can easily be installed, removed or moved to another cup holder location at any time during flight, except during take-off / landing.

- The **Cup Holder Receptacle** is a fully adjustable (two modes of adjustments), unique and lightweight product that fits into aircraft cabin “metallic” cup holders to facilitate utilization of the INGENIO cabin product suite until or without incorporation of the INGENIO universal Cabin Receptacle into the aircraft.
- The **Cup Holder Receptacle** enables power and data throughput by using a USB cable to connect “External USB Charging Port” either into an existing aircraft 110V / 220V (also using device power converter) or 5V USB power outlet or into any consumer product USB battery packs (capable of 2.4A charging recommended).
- The **Cup Holder Receptacle** is manufactured to be power wise compatible with most Portable Electronic Devices (PED's) like the latest Apple™ iPhones™ and iPads™; Android™ Smartphones and Tablets; MP3 Players and other USB-powered products.
- The **Cup Holder Receptacle** is a universal interface for a series of uniquely designed **INGENIO** cabin products such as the **Cabin Tablet-Arm, Cabin Mini Tablet-Arm, Smartphone Holder, LED Reading Lights and Cabin Projector-Arm**; all easily removable from the receptacle and can be conveniently stowed in a proper location for both takeoff and landing.
- All these features make the **INGENIO Cup Holder Receptacle** a unique product that helps distinguish itself from the competition.

## Specifications

Nominal 5VDC power pass-through
Unrestricted USB data pass-through
Weight 0.47 lb / 212 g
Width 1.98 in
Length 2.25 in (Retracted)
Height 1.51 in
Minimum Cup Holder diameter 2.5 in
Maximum Cup Holder diameter 4.0 in
Minimum Cup Holder depth 1.51 in
Adjustable with 7/64 in socket size Allen key

## Compatible INGENIO products:

209-6401-03X	USB Charger
209-5310-YXX	Premium Tablet-Arm
209-5350-YXX	Standard Tablet-Arm
209-5400-0XX	Smartphone Holder
209-5524-YXX	LED Reading Light
209-5600-01X	Cabin Projector-Arm

## Ordering Information

Part Number	-	Part Description
209-5120-0XX		Cup Holder Receptacle

XX = Finish Color Configuration  
10 = Nickel 11 = Black

Custom Plated Finishes available upon request

## Qualifications

INGENIO Aerospace is approved and licensed by Apple™ for both MFi development and manufacturing of electronic accessories

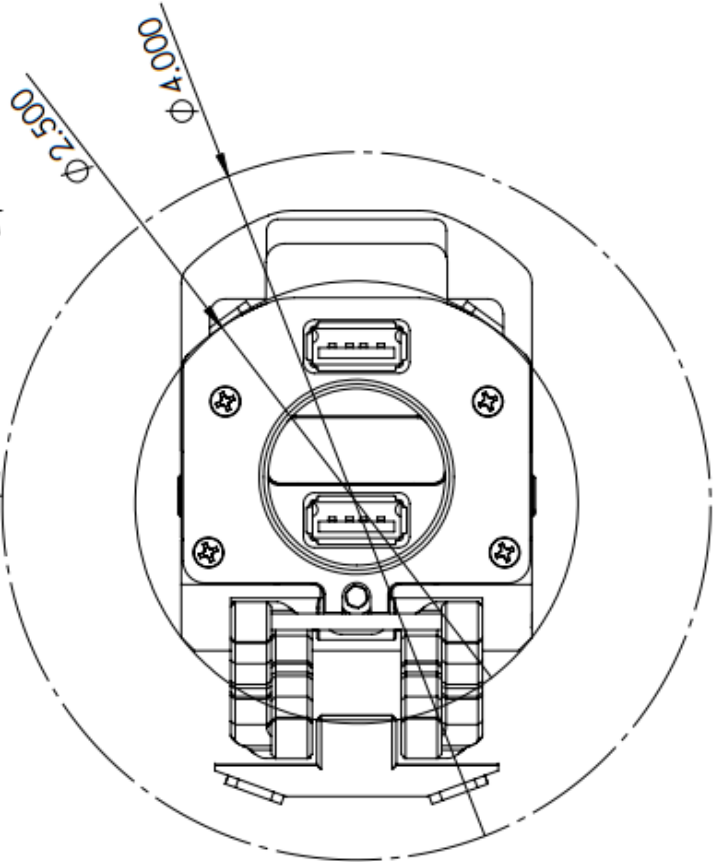
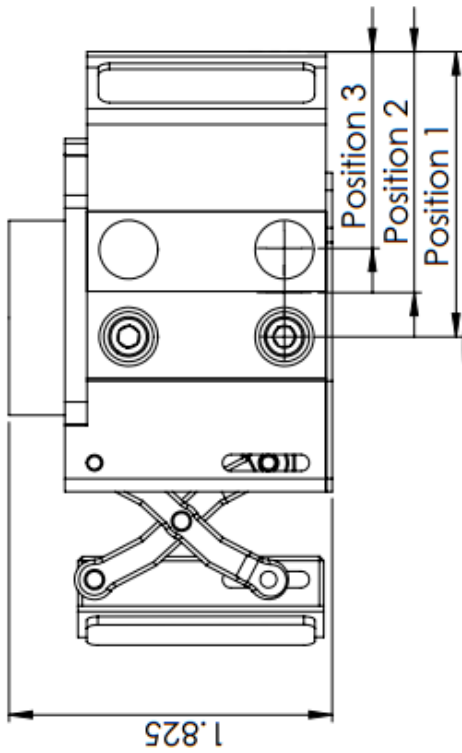
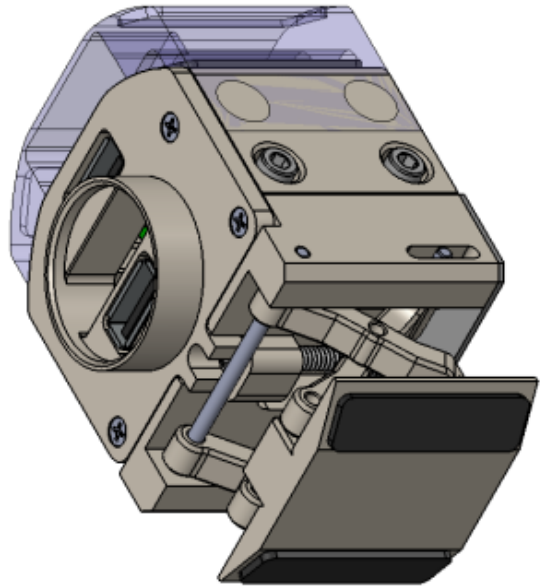
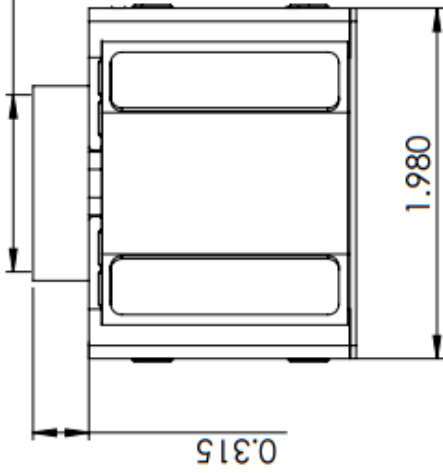


**CAN Pat. No.**  
**US Patent Pending**



1350 Rue Mazurette, Suite 102  
Montreal, QC, H4N 1H2  
Canada : 1.514.500.0561  
[www.ingenioaerospace.com](http://www.ingenioaerospace.com)

Ø 1.000



Mechanical Drawing:  
Cup Holder Receptacle

PN 209-5120-01X



**Note:** All dimensions are expressed in inches and drawings are not to scale.