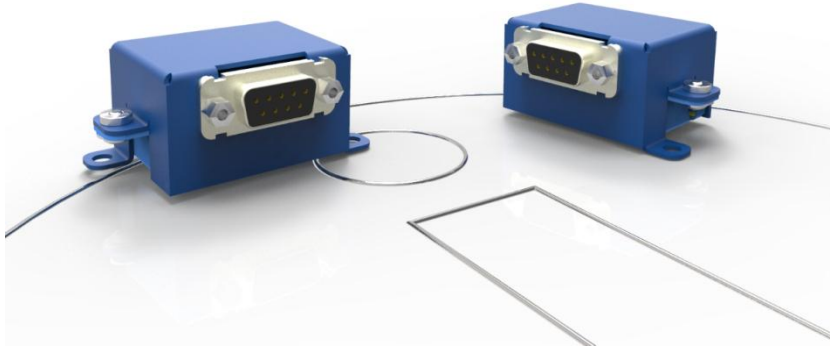


INGENIO Cockpit USB Charger



INGENIO Cockpit USB Charger



The **INGENIO Cockpit USB Charger with a D-Sub9 connector interface** provides for a compact, lightweight, robust and reliable USB charger for Portable Electronic Devices. It is purposefully engineered to meet the stringent technical requirements of the aviation industry. It is DO-160G qualified for both fixed wing & rotary aircraft in the cabin and cockpit environments.

- The **INGENIO Cockpit USB Charger** is an intelligent USB charger. Within its small housing is a powerful charger designed to be robust enough to power all of today's ever growing list of electronic devices.
- Designed and built with Intelli-Fuse technology, the **INGENIO Cockpit USB Charger** offers maximum protection from power irregularities.
- Output protection is activated automatically and fully restored once a short circuit is corrected. Input protection is activated by temporarily disconnecting from the power source and is also auto restored.
- Intel-Fuse protection makes the **INGENIO Cockpit USB Charger** very reliable with no need for service after any imaginable power hazard situation. Related service costs are held in check and all user PED's are protected.
- Due to its small physical size, the unit can be mounted on a wide range of fixed points, as seats, cabinet monuments and cockpit.
- The **INGENIO Cockpit USB Charger** is designed to power most Portable Electronic devices like the latest Apple™ iPhones™ and iPads™; Android Smartphones and Tablets; MP3 Players and other USB-powered products.
- All these features make the **INGENIO Cockpit USB Charger** a unique product that helps distinguish itself from the competition.

Specifications

For D-Sub 9 connector interface
Minimum input voltage 10 VDC
Main input voltage 28 VDC
Over-Voltage Intelli-Fuse level 36 VDC
Nominal output voltage 5 V
Maximum output current 2.5 A
Approx. 95% power efficiency under full load
Over-Voltage output protection
Output short circuit active protection
Maximum input current 0.46 A at 28 VDC
DO-160G Qualified
Weight 0.18 lb / 80 g
Width 1.47 in
Length 2.29 in
Height 1.00 in
Reverse power installation protection
Over-Voltage Intelli-Fuse Technology
MTBF > 300,000 hrs

Ordering Information

Part Number	-	Part Description
209-6401-040		Cockpit USB Charger

Qualifications

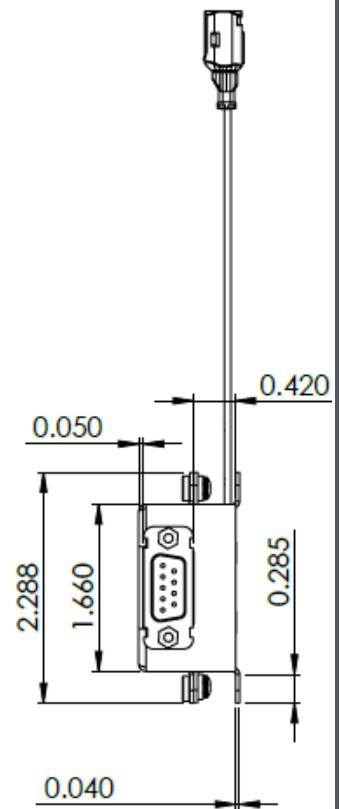
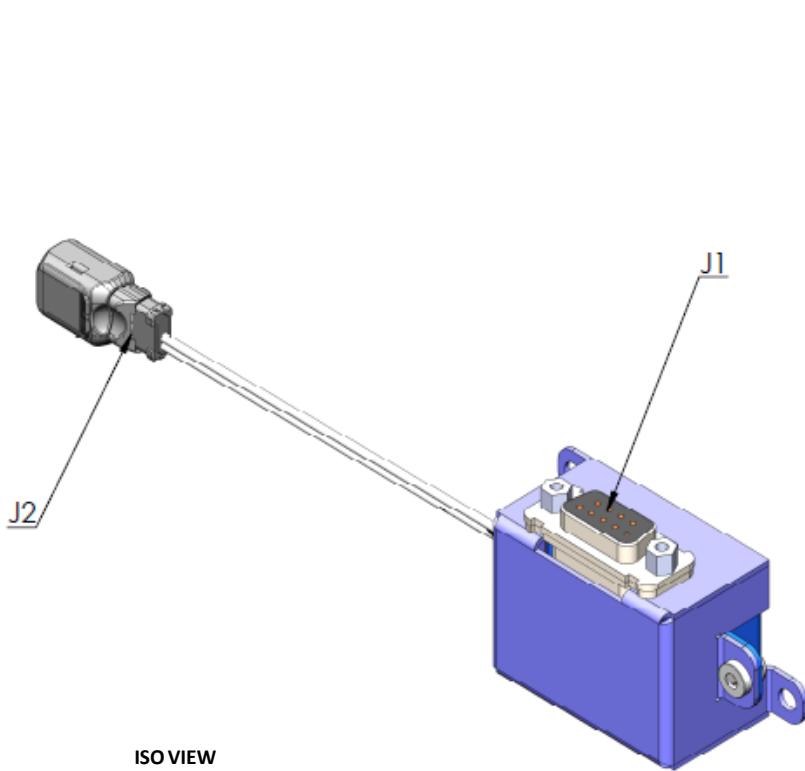
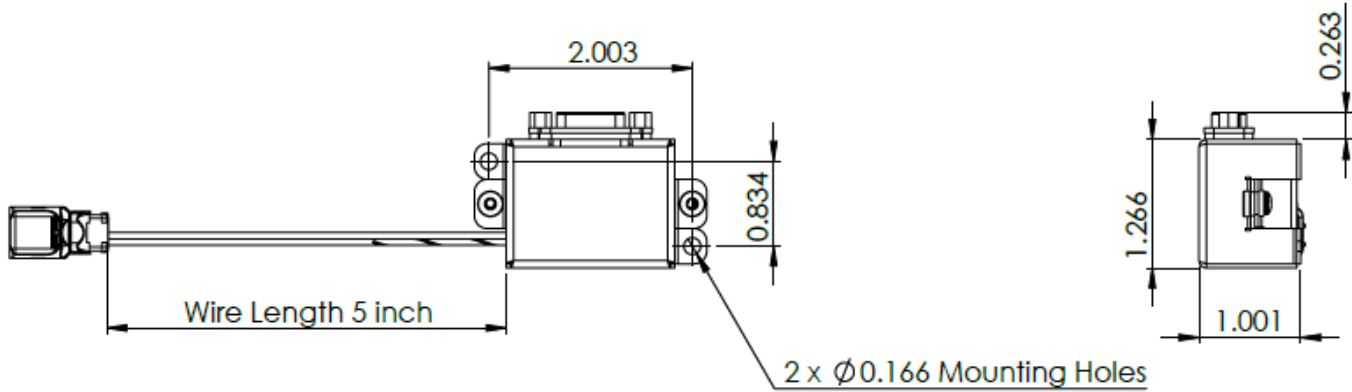
INGENIO Aerospace is approved and licensed by Apple™ for both MFi development and manufacturing of electronic accessories



RTCA DO-160G



1350 Rue Mazurette, Suite 102
Montreal, QC, H4N 1H2
Canada : 1.514.500.0561
www.ingenioaerospace.com



© Copyright 2017 INGENIO Aerospace Inc. All Rights Reserved.



Mechanical Drawing:
Cockpit USB Charger

PN 209-6401-040



Note: All dimensions are expressed in inches and drawings are not to scale.