

# INGENIO Cockpit Tripod-Mount



INGENIO Cockpit Tripod-Mount



The **INGENIO Cockpit Tripod-Mount** is the most versatile and easy-to-use tablet mount on the market. Designed to be both lightweight and ergonomic, it acts as a tilting docking station for a variety of Portable Electronic Devices (PED's) secured into an INGENIO Tablet Holder. Modern and elegant in construction, it visually complements modern Business Aircraft cockpit environments. It is purposefully engineered to meet the stringent technical requirements of the aviation industry.

- **Transport Canada approved INGENIO STC available** for Bombardier Global and Challenger 600 aircraft series, FAA and EASA familiarization in progress.
- The **INGENIO Cockpit Tripod-Mount** provides for a plug and play concept as it is easily installed in the cockpit. This lightweight Mount can be installed on the cockpit side structure for optimum flight crew viewing angles (integrated mechanism for 15° tilt in any direction). The PED and Tablet Holder are easily removable for stowing for both takeoff and landing.
- The **INGENIO Cockpit Tripod-Mount** robust design eliminates vibrations and sustains aircraft loads. PED's are held and secured by an INGENIO Universal or Custom Tablet Holder. These Tablet Holders can hold a wide variety of PED's, allow PED viewing in both portrait and landscape modes and are compatible with any other INGENIO Cabin / Cockpit products with Tablet Holder docking. The Tablet Holder can be removed by pushing a quick release button at its backside to detach the assembly (PED included) from the Mount.
- The **INGENIO Cockpit Tripod-Mount** supports Class 2 EFB installations, either with integrated power "only" for safe PED charging through the INGENIO USB Chargers or with aircraft avionics interface, using market available and certified ARINC 429 / RS 232 data bus reader & USB-powering units.
- **Special Note:** The Mount Tripod structure is customizable under special order to fit cockpits with different interface point and geometry requirements.

## Specifications

Fixed Cockpit Tripod-Mount for PED's	
USB Charging (MFi) and unrestricted USB data pass-through	
Tablet Holder Stowable for takeoff & landing	
Ergonomic, lightweight and durable	
Made of 6061-T6 Aerospace Aluminum	
Width	4.11 in
Length	6.57 in
Height	4.08 in
Weight 0.85 lb / 385 g with USB Charger or 0.80 lb / 363 g without USB Charger	
DO-160G Qualified	

## Compatible INGENIO products

209-5090-011	Universal Tablet Holder
209-6401-03X	INGENIO USB Charger

## Ordering Information

Part Number	Part Description
209-5250-512	Cockpit Tripod-Mount R/H
209-5250-511	Cockpit Tripod-Mount L/H
209-5250-522	Cockpit Tripod-Mount R/H [Without USB Charger]
209-5250-521	Cockpit Tripod-Mount L/H [Without USB Charger]

## Qualifications

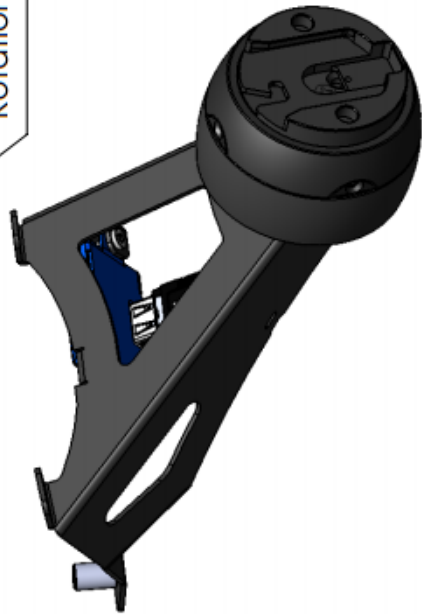
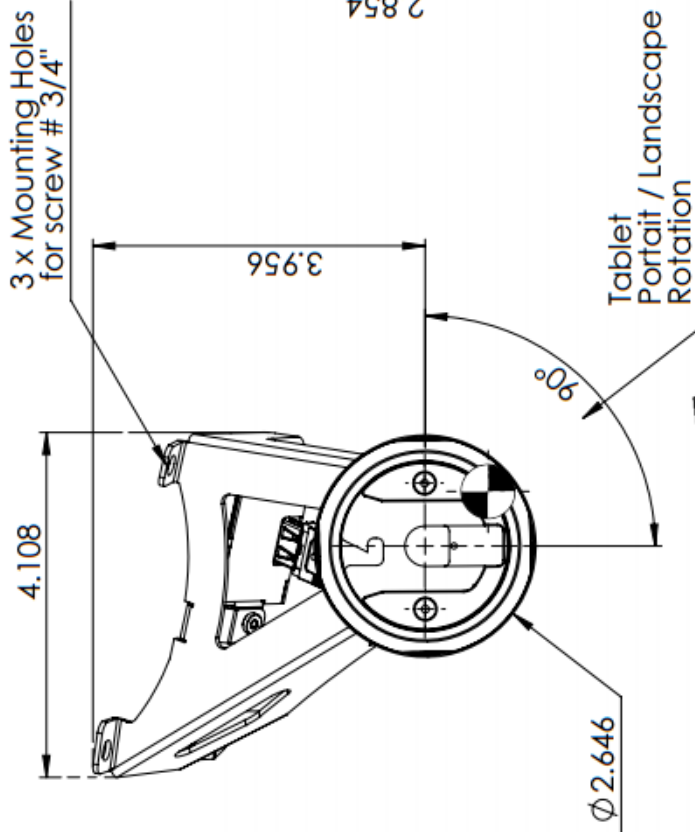
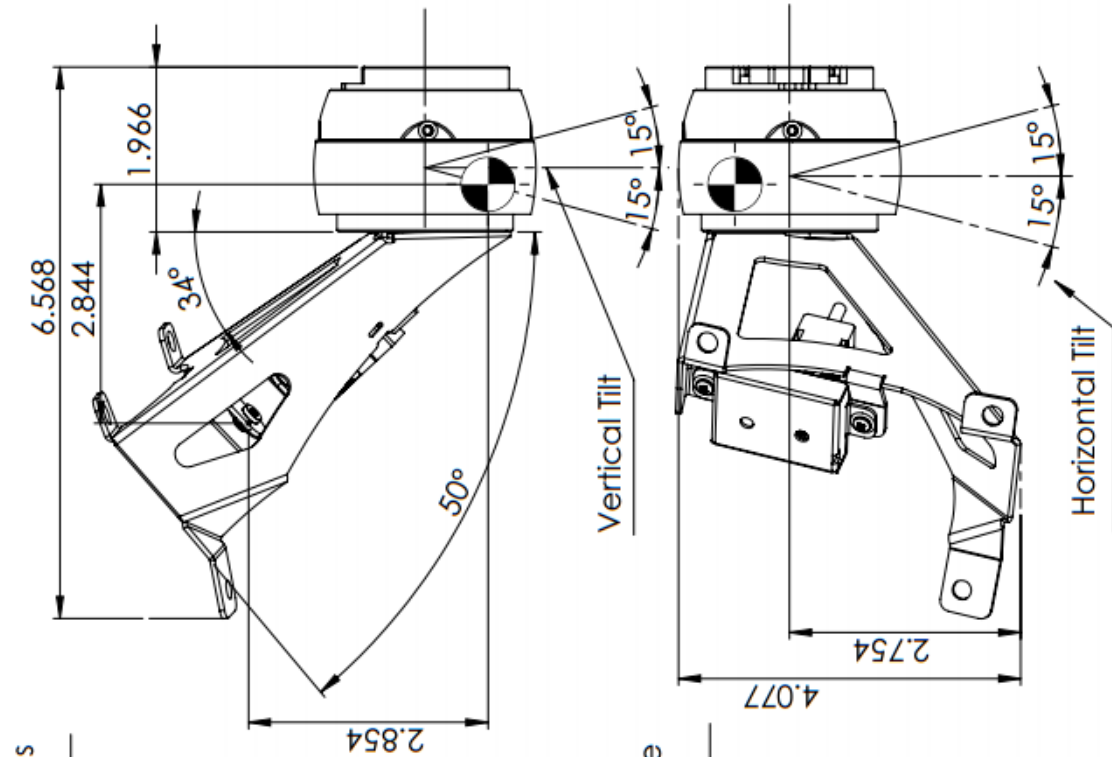
INGENIO Aerospace is approved and licensed by Apple™ for both MFi development and manufacturing of electronic accessories



**RTCA DO-160G**



1350 Rue Mazurette, Suite 102  
Montreal, QC, H4N 1H2  
Canada : 1.514.500.0561  
[www.ingenioaerospace.com](http://www.ingenioaerospace.com)



\* -521 and -522 Cockpit Tripod-Mounts do not include an INGENIO USB Charger



Mechanical Drawing:  
 Cockpit Tripod-Mount R/H PN 209-5250-512 (Shown above)  
 Cockpit Tripod-Mount L/H PN 209-5250-511  
 Cockpit Tripod-Mount R/H PN 209-5250-522\*  
 Cockpit Tripod-Mount L/H PN 209-5250-521\*



**Note:** All dimensions are expressed in inches and drawings are not to scale.