

# INGENIO

## Cockpit Heli-Mount



INGENIO Cockpit Heli-Mount



The **INGENIO Cockpit Heli-Mount** is designed to be both compact and lightweight, acting as a Tablet-Mount plug-in for a variety of Portable Electronic Devices (PED's) secured into an INGENIO Tablet Holder. Modern and elegant in construction, it visually complements modern Helicopter cockpit environments. It is purposefully engineered to meet the stringent technical requirements of the aviation industry.

- The lightweight **Cockpit Heli-Mount** provides for a plug and play concept, being easily installed in the cockpit. Due to its small physical size, the Heli-Mount can be installed on a wide range of fixed points in the cockpit, i.e. existing EFB mount or cockpit structure. The PED and Tablet Holder are removed with ease during takeoff or landing.
- The **Cockpit Heli-Mount** robust design eliminates vibrations and sustains aircraft loads. The Tablet Holders associated with the **Cockpit Heli-Mount** come in either Universal or Customized format. These Tablet Holders provide a dynamic fit for a wide variety of Tablets, allow a view in both portrait and landscape modes; they are equipped with interchangeable plug-ins used for any other INGENIO Cabin / Cockpit Arm products. The Tablets can be removed independently from the Holder, by executing a simple locking lever rotation. The second option is the whole Tablet and Holder assembly removal, by pushing a quick release button .
- The **INGENIO Cockpit Heli-Mount** supports Class 2 EFB installations, either with an INGENIO USB Charger or interfacing with the aircraft avionics for an ARINC 429 / RS 232 data pass trough, along with a USB charging capability.

### Specifications

Fixed Cockpit Tablet-Mount for PED's	
USB Charging (MFi) and unrestricted USB data pass-through	
15° Tilt Capability	
Ergonomic, lightweight and durable	
Made of 6061-T6 Aerospace Aluminum	
Width	6.17 in max
Length	9.57 in max
Height	2.36 in
Weight	0.72 lb / 327 g
Pigtail Wire Length	18.5"

### Ordering Information

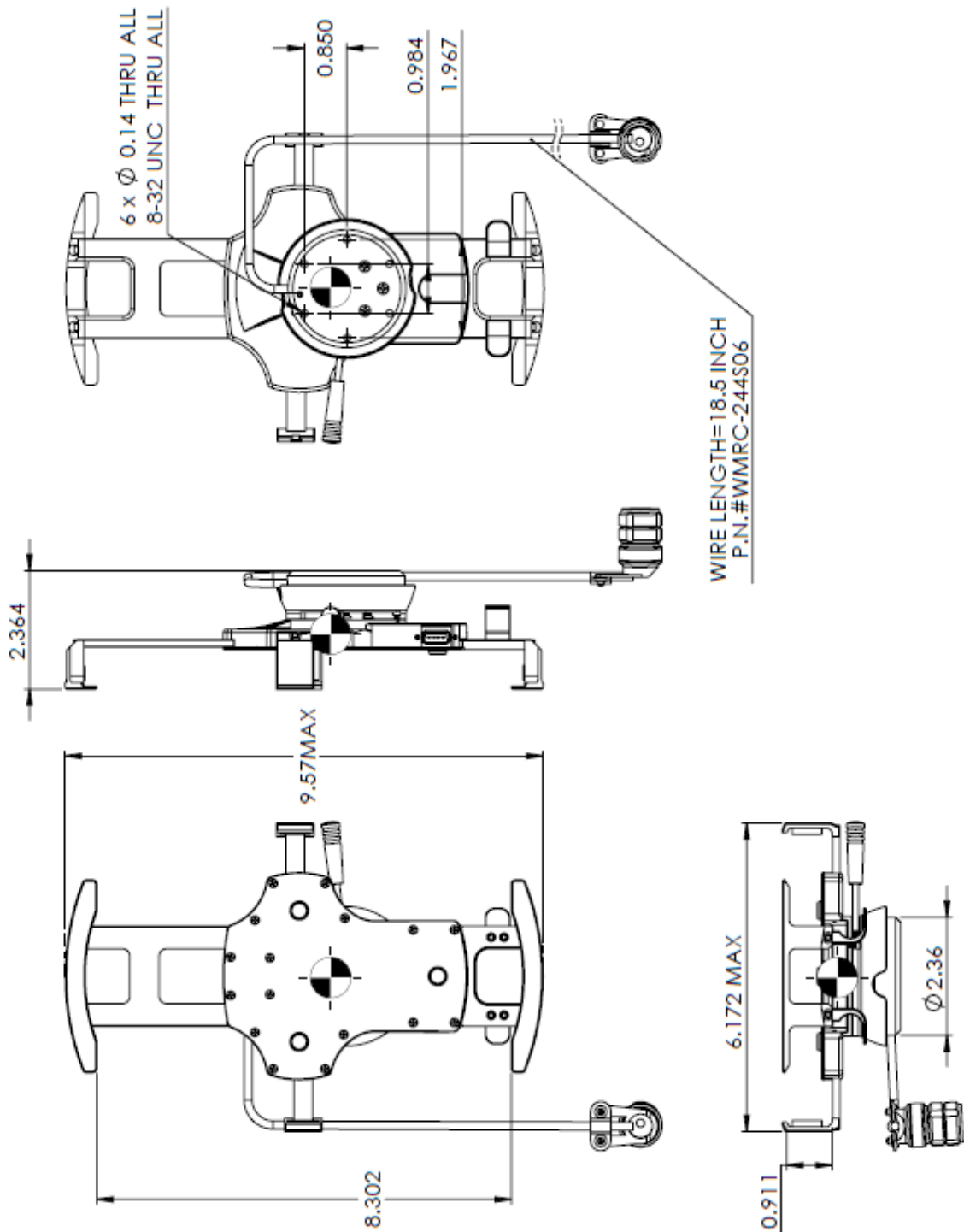
<i>Part Number</i>	<i>-</i>	<i>Part Description</i>
209-5235-011	-	Cockpit Heli-Mount (L/H) Black
209-5235-012	-	Cockpit Heli-Mount (R/H) Black

### Qualifications

INGENIO Aerospace is approved and licensed by Apple for both MFi development and manufacturing of electronic accessories



1350 Rue Mazurette, Suite 102  
Montreal, QC, H4N 1H2  
Canada : 1.514.500.0561  
[www.ingenioaerospace.com](http://www.ingenioaerospace.com)



Mechanical Drawing:  
Cockpit Heli-Mount PN 209-5235-01X

Made for  
 iPod iPhone iPad

**Note:** All dimensions are expressed in inches and drawings are not to scale.