

INGENIO

Cabin Projector-Arm



INGENIO Cabin Projector-Arm



Specifications

Plug-In Cabin Projector-Arm
USB Charging (MFi) and unrestricted USB data pass-through
Stowable for takeoff & / or landing
Ergonomic, lightweight and durable
Made of 6061-T6 Aerospace Aluminum
Width: 1.50 in (Without USB Projector)
Length: 5.13 in (Without USB Projector)
Height: 8.13 in (Without USB Projector)
Weight: 0.65 lb / 294 g (Without USB Projector)

The **Cabin Projector-Arm** by INGENIO is a unique USB-powered product designed to give busy Corporate Clients the tools to stay productive while in flight. Modern and elegant in construction it compliments and enhances the interior of any Business Aircraft. It is purposefully engineered to meet the stringent technical requirements of the aviation industry.

Compatible INGENIO products

209-5100-011	Cabin Receptacle
209-6401-03X	INGENIO USB Charger
209-6406-021	USB Extender Plus

- The **Cabin Projector-Arm** improves any in-flight meeting while by providing a sophisticated and effective way to power & / or feed data to consumer market USB-powered Pico Projectors with a standard "Tripod Dock" interface. display any presentation on board i.e. projecting a portable computer presentation to a screen onboard an aircraft through a simple USB or HDMI connection.
- This unit is a plug and play concept that is easily deployed in the cabin by way of a simple attachment point referred to as the **INGENIO Cabin Receptacle** which can be installed on a wide range of fixed points due to its small physical size. This accommodates placement in various locations throughout a cabin such as: seats, divans, side ledges and cup holders.
- The consumer market Pico Projector is to be mounted on the **Cabin Projector-Arm** universal "Tripod Dock" screw. This also allows for the mounting of a number of different or alternative devices like a GoPro video unit or any type of Digital Camera.
- The **Cabin Projector-Arm** also includes a USB charging port to power the Pico Projector.
- The mount is easily removable for both takeoff and landing.
- All these features make the **Cabin Projector-Arm** a unique product without competition.

Ordering Information

Part Number	-	Part Description
209-5600-010		Cabin Projector-Arm – Nickel
209-5600-011		Cabin Projector-Arm – Black

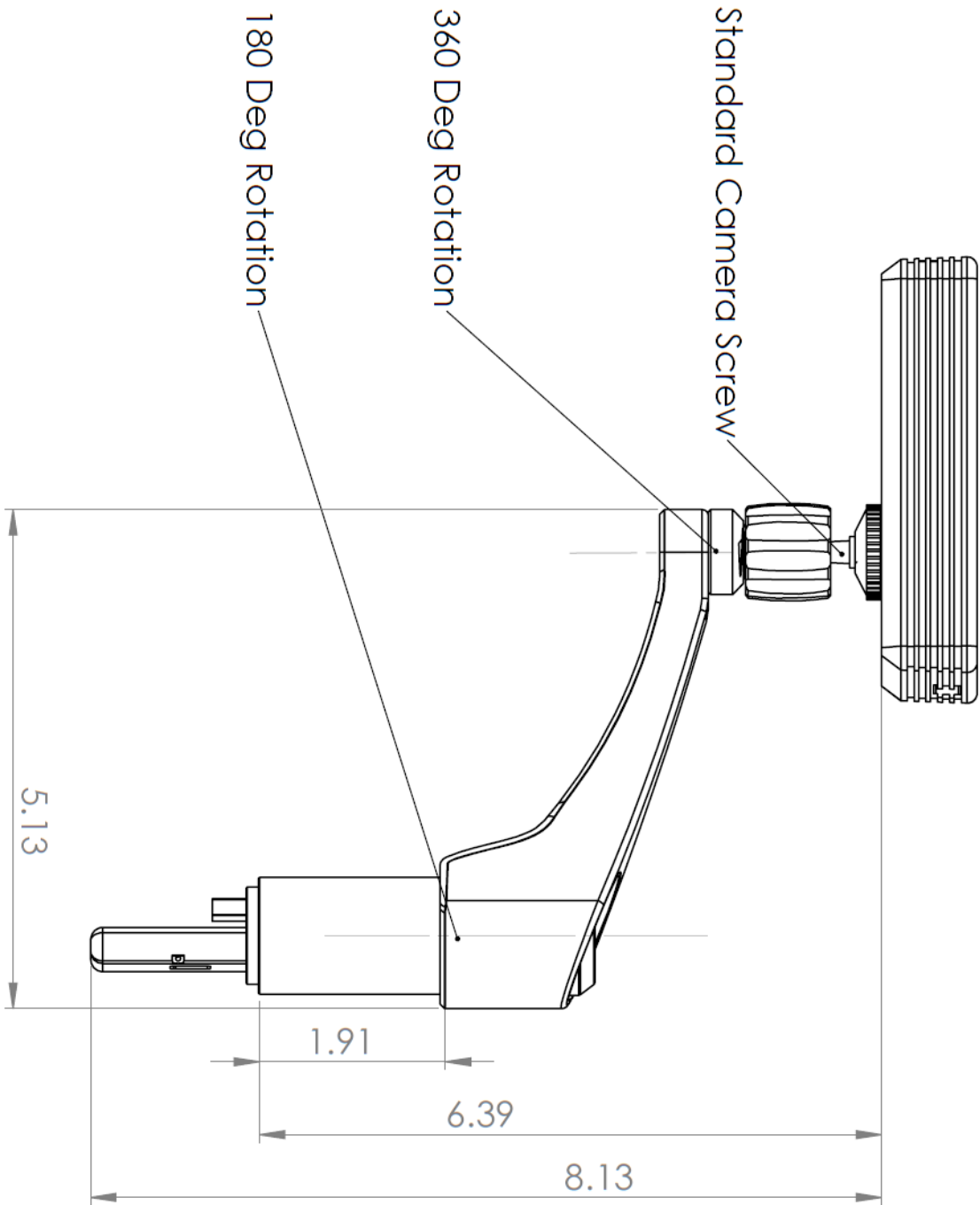
Note: The Pico projector depicted in the image above is for reference only and is not included

Qualifications

INGENIO Aerospace is approved and licensed by Apple™ for both MFi development and manufacturing of electronic accessories



1350 Rue Mazurette, Suite 102
Montreal, QC, H4N 1H2
Canada: 1.514.500.0561
www.ingenioaerospace.com



The Cabin Projector-Arm is depicted with a Pico Projector (not included) for reference only

Patent Pending



Mechanical Drawing:
Cabin Projector-Arm PN 209-5600-01X



Note: all dimensions are expressed in inches and drawings are not to scale.