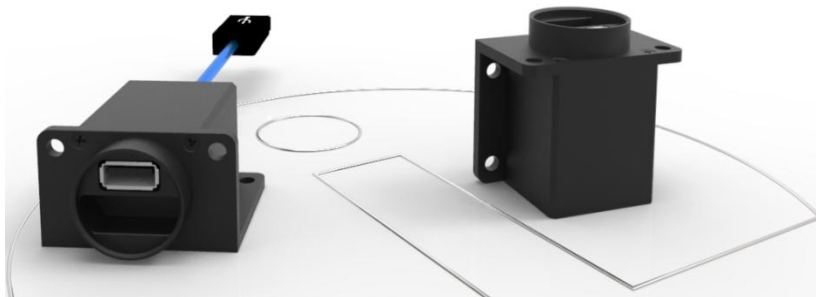


# INGENIO Cabin Receptacle



INGENIO Cabin Receptacle



The **INGENIO Cabin Receptacle** is a unique and multi-purpose USB-powered receptacle. It is a dynamic, compact, and lightweight unit. It can be installed in a wide variety of locations throughout an aircraft cabin while contributing to a clean & modern esthetic. It is designed to be durable, robust, and is purposefully engineered to meet the stringent technical requirements of the aviation industry.

- The **Cabin Receptacle** is typically paired with the **INGENIO USB Charger** which acts as a power high speed charging source to any INGENIO product which is inserted, thereby allowing clients to comfortably and safely use Personal Electronic Devices (PED's) such as the latest Apple™ iPhones™, iPad™ Air, iPad™ Pro and iPad™ Mini; Android™ Smartphones and Tablets; MP3 Players and other USB-powered products.
- Due to its small physical size, the **Cabin Receptacle** can be installed on a wide range of cabin fixed points, i.e. club seats, conference area, divans, base receptacles, cup holders, retractable receptacles, narrow side ledges, etc.
- The **Cabin Receptacle** is the universal interface for a series of uniquely designed **INGENIO plug-in** cabin products such as the **Cabin Premium Tablet-Arm**, **Cabin Standard Tablet-Arm**, **Smartphone Holder**, **LED Reading Light** and **Cabin Projector-Arm**; all easy to remove from the receptacle and conveniently stowed in a proper location for both takeoff and landing.
- All these features make the **INGENIO Cabin Receptacle** a unique product in the aviation industry.

## Specifications

|   |
|---|
| Secure receptacle for Plug-In USB Products                |
| USB Charging (MFi) and unrestricted USB data pass-through |
| Liquid spillage proof                                     |
| Lightweight and durable                                   |
| Made of 6061-T6 Aerospace Aluminum                        |
| Width 1.20 in   |
| Length 1.96 in  |
| Height 2.00 in  |
| Weight 0.21 lb / 93 g                                     |

## Compatible INGENIO products

|              |                     |
|--------------|---------------------|
| 209-6401-03X | INGENIO USB Charger |
| 209-5310-YXX | Premium Tablet-Arm  |
| 209-5350-YXX | Standard Tablet-Arm |
| 209-5400-0XX | Smartphone Holder   |
| 209-55YY-ZXX | LED Reading Light   |
| 209-5600-0XX | Cabin Projector-Arm |

## Ordering Information

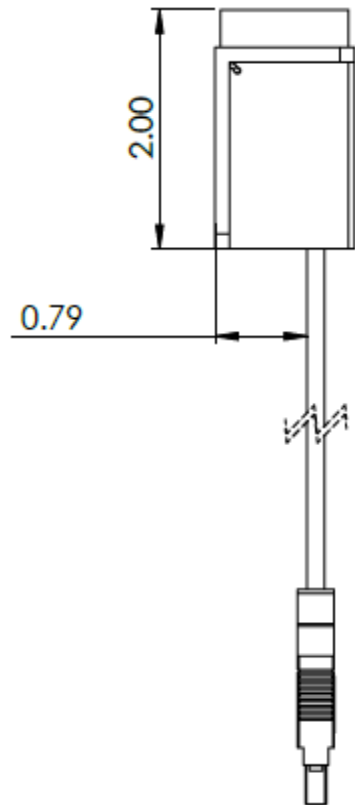
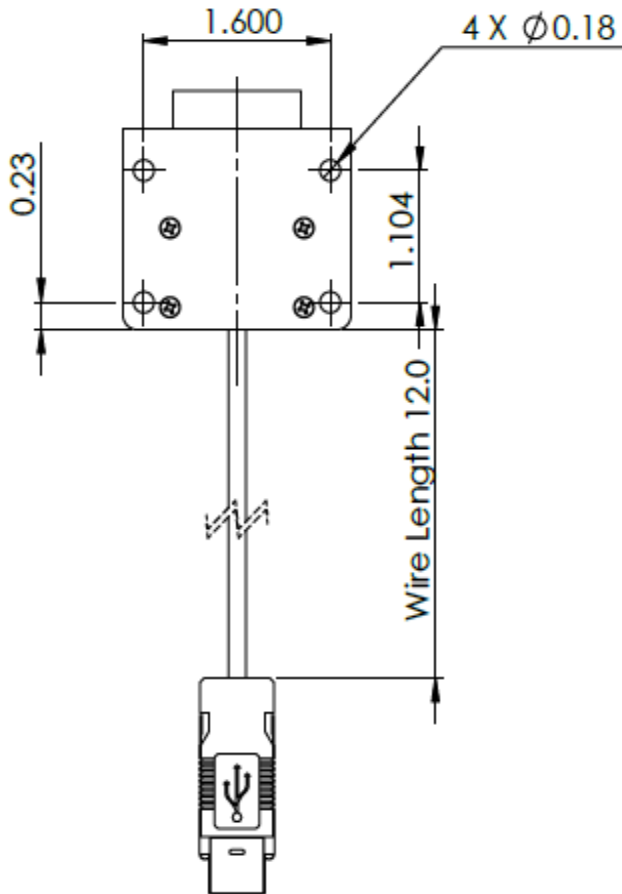
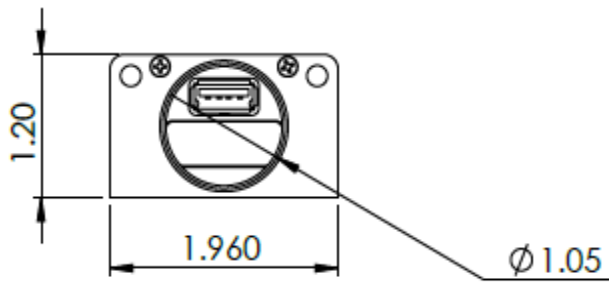
| Part Number  | Part Description         |
|--------------|--------------------------|
| 209-5100-011 | Cabin Receptacle – Black |

## Qualifications

INGENIO Aerospace is approved and licensed by Apple™ for both MFi development and manufacturing of electronic accessories



1350 Rue Mazurette, Suite 102  
Montreal, QC, H4N 1H2  
Canada : 1.514.500.0561  
[www.ingenioaerospace.com](http://www.ingenioaerospace.com)



Mechanical Drawing:

Cabin Receptacle

PN 209-5100-011



Made for



iPod iPhone iPad

**Note:** All dimensions are expressed in inches and drawings are not to scale.