

INGENIO

CES Drop-In Charger



INGENIO USB Type A / Type C Charger for Rockwell Collins CES Receptacle



The **CES Drop-In Charger** by **INGENIO** is a compact, lightweight, robust and reliable USB charger, equipped with shared USB Type A and USB Type C connectors, in order to meet different charging standards of Portable Electronic Devices (PED's). It is purposefully engineered to meet the stringent technical requirements of the aviation industry. It is **DO-160G** qualified for both fixed wing & rotary aircraft in the cabin and cockpit environments.

- The **CES Drop-In Charger** is an intelligent USB charger which combines two different USB connectors (Type A and Type C) with the **INGENIO USB Nano Charger**. The unit is designed to fit in the receptacles of the cabins equipped with the **Rockwell Collins CES Entertainment System**.
- The **INGENIO CES Drop-In Charger** can charge either the Type A or Type C at one time.
- Designed and built with the INGENIO proprietary Intelli-Fuse technology, the **INGENIO CES Drop-In Charger** is self-protected from any power irregularities which makes the **INGENIO CES Drop-In Charger** very reliable with minimal service costs. Output protection is activated automatically and fully restored once a short circuit is corrected. The input protection is activated by temporarily disconnecting from the power source and is also auto restored.
- The **INGENIO CES Drop-In Charger** is manufactured to power most Portable Electronic Devices, such as Apple™ iPhones™, iPads™, Android Smartphones and Tablets; MP3 Players and other USB-powered products.
- All these features make the **INGENIO CES Drop-In Charger** a unique product that helps distinguish itself from the competition.

Specifications

Approx. 95% power efficiency under full load

Minimum input voltage 10 VDC

Main input voltage 28 VDC

Over-Voltage Intelli-Fuse

Nominal output voltage 5 V

Maximum output current 2.5 A

Reverse power installation protection

Output short circuit active protection

DO-160G Qualified

Power Supply MTBF > 300,000 hrs

Height 2.77 in

Width 0.88 in

Length 1.36 in

Weight 0.30 lb

Ordering Information

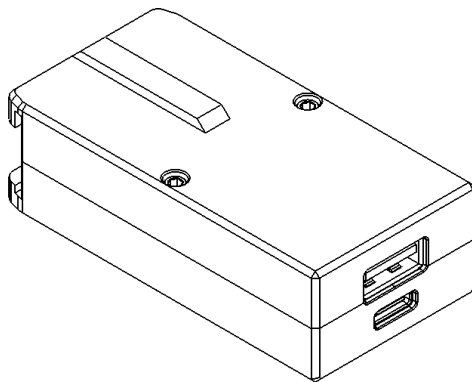
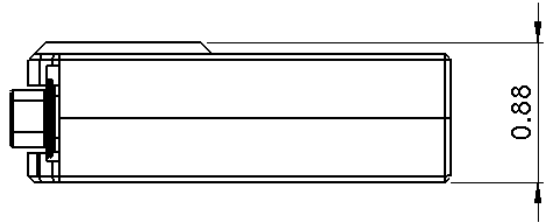
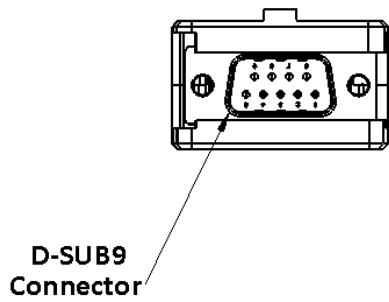
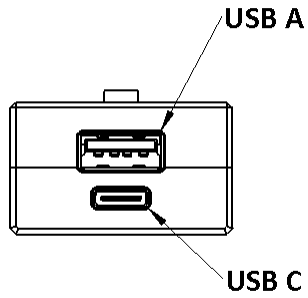
Part Number	-	Part Description
209-6411-011		CES Drop-In Charger - Black

Qualifications

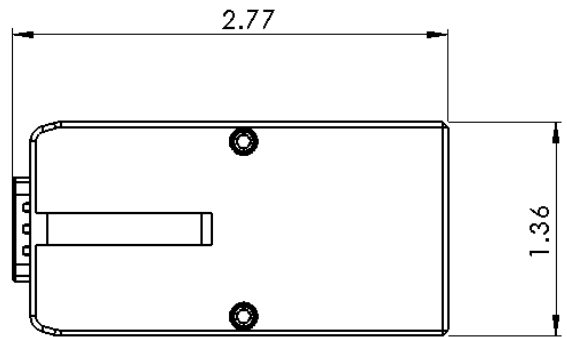
INGENIO Aerospace is approved and licensed by Apple™ for both MFi development and manufacturing of electronic accessories



1350 Rue Mazurette, Suite 102
Montréal, Qc, H4N 1H2
Canada : 1.514.500.0561
www.ingenioaerospace.com



ISO VIEW



© Copyright 2017 INGENIO Aerospace Inc. All Rights Reserved.



CES Drop-in Charger

PN 209-6411-011



Note: All dimensions are expressed in inches and drawings are not to scale.