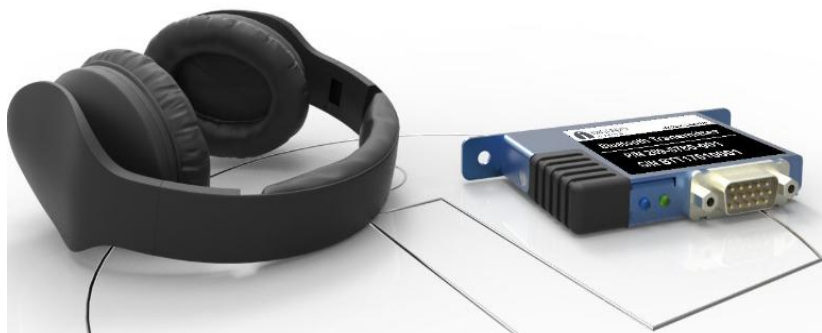


# INGENIO Bluetooth Transmitter (BTT)



INGENIO Bluetooth Transmitter



The **INGENIO Bluetooth Transmitter** is the most compact, programmable, lightweight, efficient and reliable Bluetooth transmitter to enable Bluetooth communication with capable Cabin Entertainment Systems. It is purposefully engineered to meet the stringent technical requirements of the aviation industry.

This product is DO-160G qualified for both fixed wing & rotary aircraft cabin and cockpit environments.

- The **INGENIO Bluetooth Transmitter** is a unique aviation grade product, designed to complement functionality of existing Cabin Entertainment Systems on the market. Its primary use is to enable cabin passengers to wirelessly receive audio content from the Cabin Entertainment System on their Bluetooth Headsets.
- Designed and built with the Inteli-Fuse technology, the **Bluetooth Transmitter** is self-protected from any power irregularities. This makes the **Bluetooth Transmitter** very reliable, with minimal need for service after any imaginable power hazard situation. Related service costs are therefore held in check.
- The **Bluetooth Transmitter** is easily installed in cabin monuments. Due to its small physical size and weight, it can be mounted on a wide range of fixed points.
- The **Bluetooth Transmitter** is manufactured to interface with most Bluetooth v3.0 compatible headphones on the market. For best performance, it is recommended the use of headphones with APTX protocol.
- All these features make the **INGENIO Bluetooth Transmitter** a unique product that helps distinguish itself from the competition.

## Specifications

Power Supply Efficiency	> 90%
Input Voltage	10 VDC to 36 VDC
Over-Voltage Inteli-Fuse level	37 VDC
Input Power	1.4 Watts max; 50 mA max @ 28VDC
Weight	0.099 lb / 45 g
Length	2.68 in
Width	1.63 in
Height	0.47 in
Integrated Antenna Range	≤ 50 ft LOS
Selectable RS232 and USB Communication Interface	
Bluetooth v3.0 compliant	
128-bit encryption security	
Bluetooth Profiles:	A2DP, AVRCP
DO-160G Qualified	

## Ordering Information

Part Number	-	Part Description
209-5780-001		INGENIO Bluetooth Transmitter

## Qualifications

INGENIO Aerospace is approved and licensed by Apple™ for both MFi development and manufacturing of electronic accessories



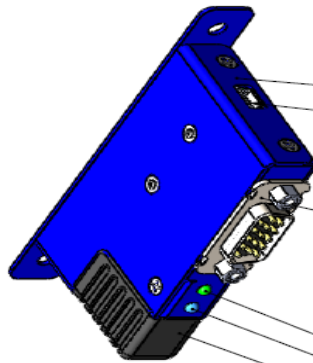
RTCA DO-160G



1350 Rue Mazurette, Suite 102  
Montreal, QC, H4N 1H2  
Canada : 1.514.500.0561  
[www.ingenioaerospace.com](http://www.ingenioaerospace.com)

Powered by INGENIO USB Charger design -  
Environmentally compliant to RTCA DO-160G

Operating Temperature Range -15C to +55C  
Ground Survival Temperature Range -55C to +70C



Antenna Exposure Area  
Material ULTEM 9085  
(Non-Metallic)

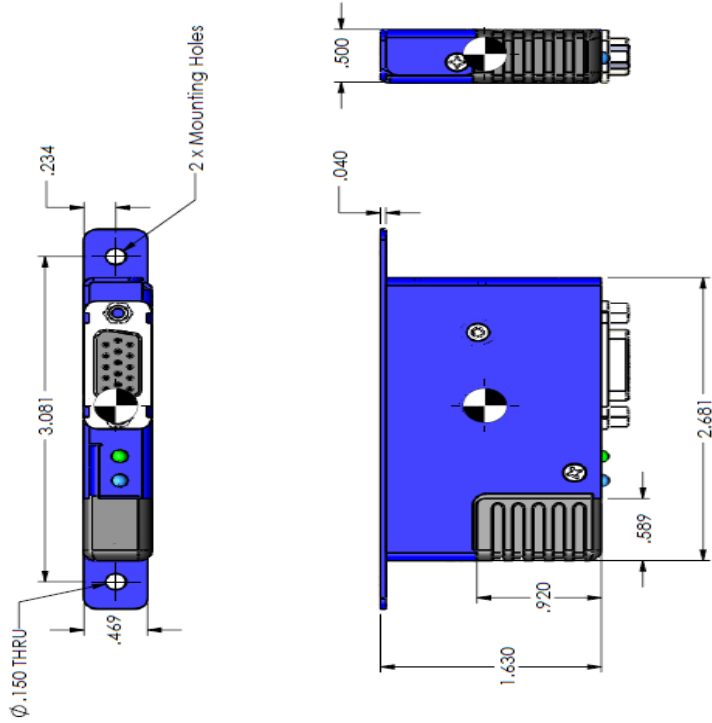
Mode LED (Blue)

Power LED (Green)

J1 D-Sub 15 M Interface

J2 -Mini USB Maintenance and 5VDC Power

Aluminum enclosure AL-ALY5052-H32 - bonding not required



J1 Mating Connector Positronic DD15F0000X	
Pin	Signal
1	+28VDC
2	D10 (Disconnect)
3	D11 (Pairing)
4	Audio In L
5	Audio In R
6	Return
7	RS232 Tx
8	RS232 Rx
9	NC
10	Audio GND
11	NC
12	RS232 GND
13	NC
14	NC
15	DO (Connect Status)



Mechanical Drawing:  
Bluetooth Transmitter PN 209-5780-001



**Note:** All dimensions are expressed in inches and drawings are not to scale.